

**STANDARD CONSTRUCTION**
**FRAME:**

ALUMINUM RETURN AIR REGISTER.  
MOUNTED ON 23-3/4" x 23-3/4" ALUMINUM PANEL  
COMPLETE MOLDED R6 INSULATED BACK  
SURFACE MOUNT AND TEE-BAR PANEL FRAMES  
AVAILABLE.

**BLADES:**

45° FIXED BLADE CORE FOR SIGHT-PROOF  
APPEARANCE.

**FEATURES:**

SUPERIOR SOUND ABSORPTION.  
LIGHT WEIGHT - EASILY SUSPENDED.  
CONDENSATION FREE OPERATION.

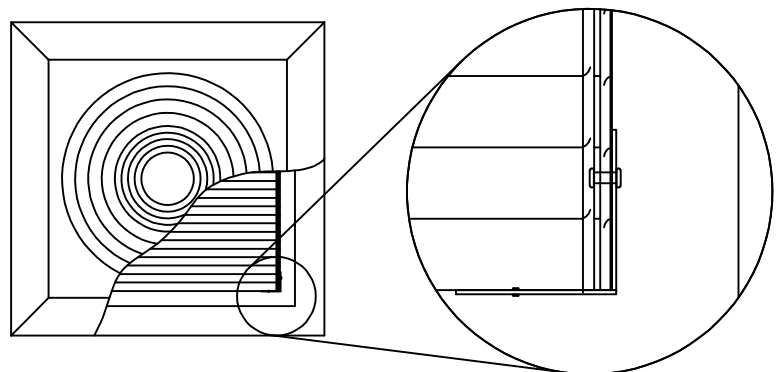
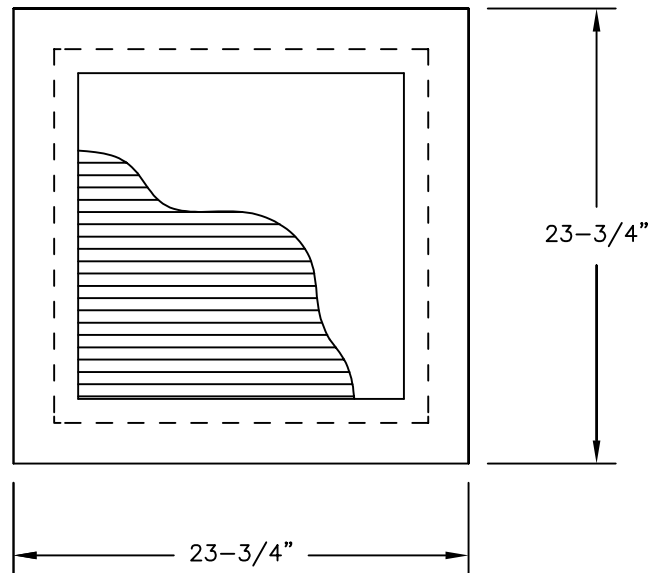
**FINISH:**

SKY-WHITE (STANDARD)

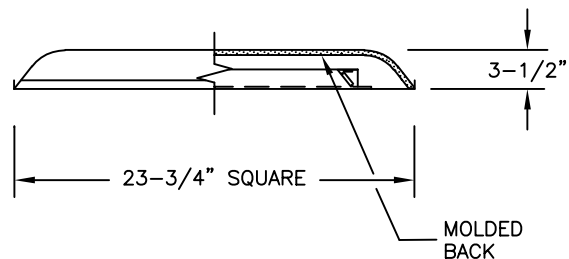
AXALTA SKY-WHITE 100% POLYESTER POWDER  
COATING GIVES AN ATTRACTIVE BRIGHT WHITE FINISH  
AND PROVIDES ADDITIONAL PROTECTION FROM  
AGING AND WEAR.

**SIZES AVAILABLE:**

CORE SIZE	FACE OR CEILING MODULE SIZE
	24 X 24
6 X 6	X
9 X 9	X
12 X 12	X
15 X 15	X
18 X 18	X
21 X 21	X



JOB NAME:
LOCATION:
ARCHITECT:
ENGINEER:
CONTRACTOR:
<p>CONTACT GRILLE TECH INC. FOR ADDITIONAL INFORMATION OR WITH SPECIAL REQUIREMENTS.</p> <p>5101 NW 36TH AVE MIAMI, FL 33142 PHONE: 305-537-0053 FAX: 305-537-0064</p> <p>WEB: WWW.GRILLETECHINC.COM EMAIL: SALES@GRILLETECHINC.COM</p>


**MODEL RA6AU**  
ALUMINUM PANEL RETURN

DRAWN BY:	MR	DATE:	6/22/17	SCALE:	NOT TO SCALE	DRAWING NO.:	RA6AU
CHECKED BY:	IG	DATE:	6/30/17	REVISION:	6/22/17		