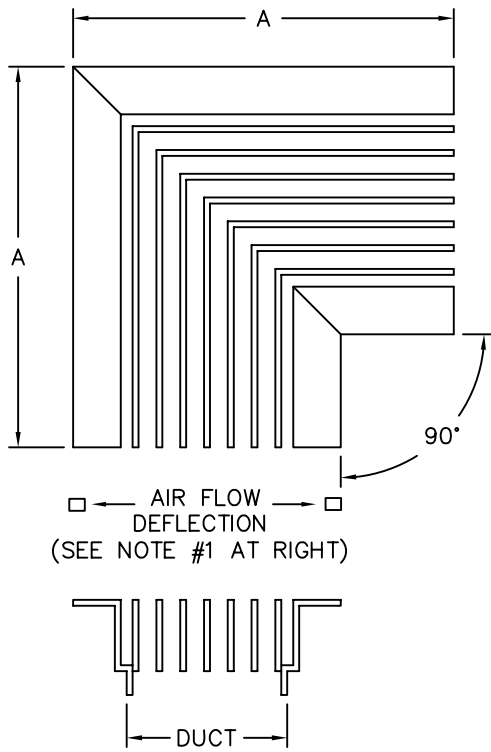


□ BGMC90— 90° MITRED CORNER



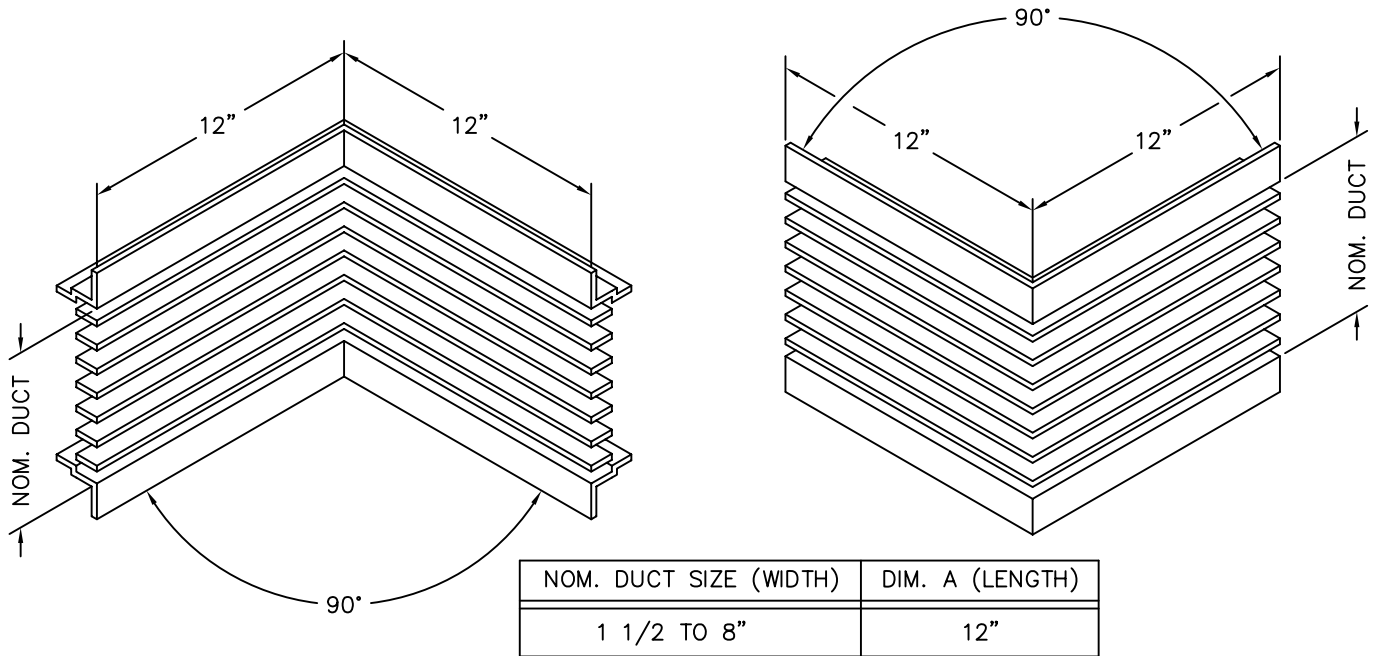
NOTES:

1. APPLYING 15° DEFLECTION. PLEASE SPECIFY AIR FLOW DIRECTION RELATIVE TO THE CORNER AND TOWARD:
A.) INSIDE OF CORNER
B.) OUTSIDE OF CORNER

PLAN VIEW

NOM. DUCT SIZE (WIDTH)	DIM. A (LENGTH)
1 1/2 TO 8"	12"

□ BGMCSI— MITRED CORNER SIDEWALL INSIDE □ BGMCSO— MITRED CORNER SIDEWALL OUTSIDE



NOM. DUCT SIZE (WIDTH)	DIM. A (LENGTH)
1 1/2 TO 8"	12"

NOTES:

1. REFER TO STANDARD LINEAR GRILLE SUBMITTALS FOR AVAILABLE FRAME AND CORE STYLES.
2. APPLYING 15° DEFLECTION. PLEASE SPECIFY AIR FLOW DIRECTION RELATIVE TO THE CORNER AND TOWARD:
A.) INSIDE OF CORNER
B.) OUTSIDE OF CORNER
3. MITRED CORNER ASSEMBLIES: FINISH MATCHES STRAIGHT LENGTHS.

TITLE:

SERIES BGMC
MITRED CORNER SECTIONS
FOR LINEAR GRILLES



DRN BY: CV	DATE: 10/19/00	SCALE: NTS	DRAWING NO. BG201-A
CKD BY: DJL	DATE: 10/19/00	REV: 01	