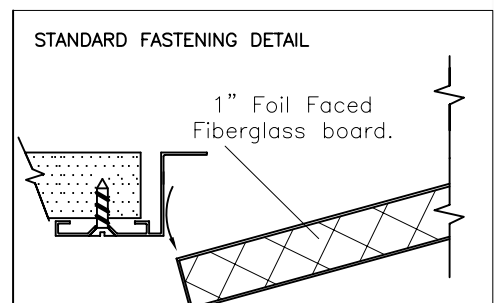


STANDARD CONSTRUCTION

- **FRAME:**
HEAVY EXTRUDED ALUMINUM
CORNER CLIPS ASSURE HAIRLINE MITERED CORNERS
- **ACCESS DOORS:**
MADE OF STUCCO EMBOSSED GALV-ALUM STEEL SHEET (AZ50) WITH A PERIMETER ALUMINUM CHANNEL AND 1" R-4.2 FOIL FACED FIBERGLASS BOARD FOR INSULATION AND SOUND ATTENUATION
- **INSTALLATION:**
ALLOW 1-1/2" CLEARANCE WHEN INSTALLING BELOW A DAIKIN INDOOR UNIT.
- **FINISH:**
 POLYESTER SKY WHITE POWDER COAT (STANDARD)
 SPECIAL COLOR (SPECIFY _____)

DUPONT 100% POLYESTER POWDER COATING GIVES AN ATTRACTIVE BRIGHT WHITE FINISH AND PROVIDES ADDITIONAL PROTECTION FROM AGING AND WEAR.



DAIKIN APBSVQ3660

ACCESS PANEL DOOR
PRODUCT SPECIFICATIONS

NOTE: ALL DRAWINGS SUBJECT TO CHANGE WITHOUT PRIOR NOTICE.



Grille tech inc.

DRAWN BY:	AF	DATE:	09/18/07	SCALE:	NOT TO SCALE	DRAWING NO.:	BSVQ36/60AP
CHECKED BY:	IG	DATE:	09/18/07	REVISION:	1		