



STANDARD CONSTRUCTION

FRAME:
6063T5 EXTRUDED ALUMINUM
NOMINAL WALL THICKNESS OF 0.081"
UNIVERSAL 1.5" FLANGE

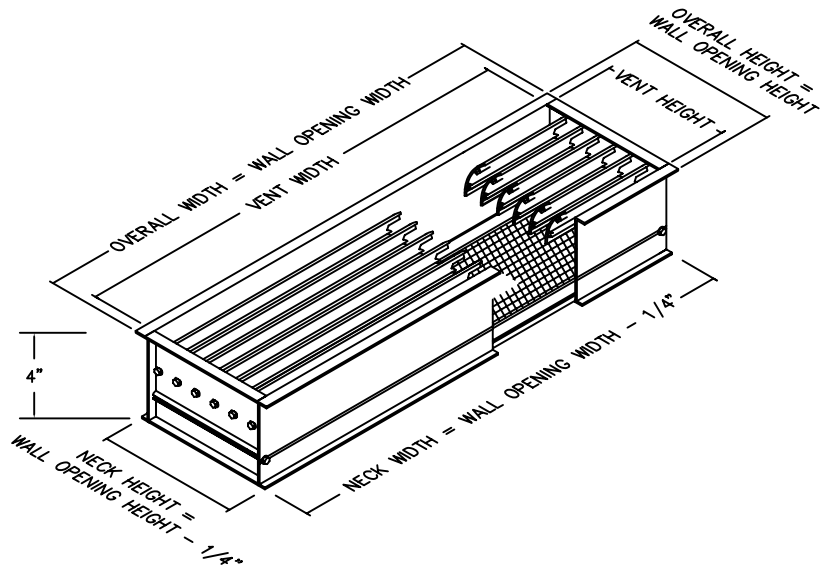
BLADES:
6063T5 EXTRUDED ALUMINUM
NOMINAL WALL THICKNESS OF 0.081"
SPACED AT APPROX. 1" CENTERS

FINISH:
MILL ALUMINUM (STANDARD)
POLYESTER SKY WHITE POWDER COAT (ADDITIONAL FEE)

SCREEN:
BVC4I (STANDARD): INSECT SCREEN
BVC4B (OPTIONAL): BIRD SCREEN

STANDARD VENT SIZES:

8 1/8"W X 2 3/8"H	16 1/2"W X 2 3/8"H
8 1/8"W X 4 3/4"H	16 1/2"W X 4 3/4"H
8 1/8"W X 7 3/4"H	16 1/2"W X 7 3/4"H
12"W X 2 3/8"H	16 1/2"W X 15 3/4"H
12"W X 4 3/4"H	24"W X 2 3/8"H
12"W X 7 3/4"H	24"W X 4 3/4"H
12"W X 11 3/4"H	24"W X 7 3/4"H
15 5/8"W X 7 3/4"H	32"W X 7 3/4"H
15 5/8"W X 15 3/4"H	48"W X 7 3/4"H



FEATURES

HEAVY EXTRUDED ALUMINUM PROVIDES SUPERIOR DURABILITY AND RESISTS CORROSION.

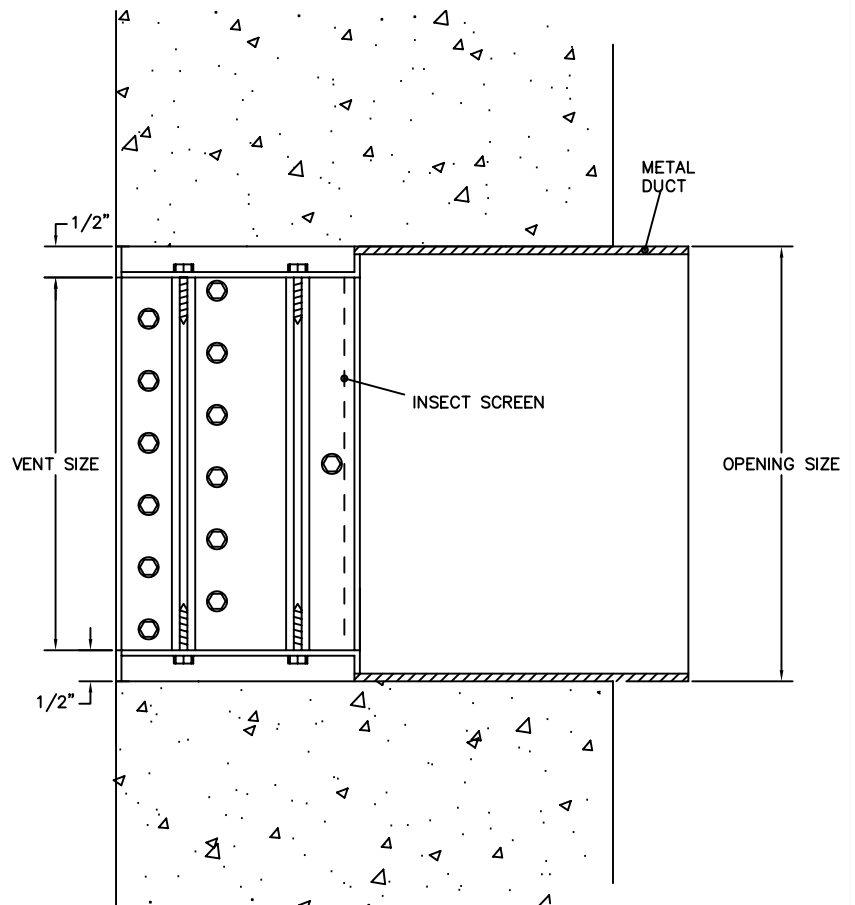
CONTINUOUS BLADE DESIGN OFFERS A CLEAN, ATTRACTIVE APPEARANCE.

BLADE ANGLE AND OVERLAP LIMITS VISIBILITY INTO THE STRUCTURE.

BLADE DEPTH OFFERS GOOD RESISTANCE TO WATER PENETRATION.

FLANGED FACE CREATES A GOOD VENT-TO-WALL SEAL AND AN EASY CAULKING SURFACE.

OPTIONAL POWDER COATING GIVES AN ATTRACTIVE BRIGHT WHITE FINISH AND PROVIDES ADDITIONAL PROTECTION FROM AGING AND WEAR.



JOB NAME:
LOCATION:
ARCHITECT:
ENGINEER:
CONTRACTOR:
CONTACT GRILLE TECH INC. FOR ADDITIONAL INFORMATION OR WITH SPECIAL REQUIREMENTS.
5101 NW 36TH AVE MIAMI, FL 33142 PHONE: 305-537-0053 FAX: 305-577-0064
WEB: WWW.GRILLETECHINC.COM EMAIL: SALES@GRILLETECHINC.COM

BVC4I

BRICK WALL VENT
PRODUCT SPECIFICATIONS

NOTE: ALL DRAWINGS SUBJECT TO CHANGE WITHOUT PRIOR NOTICE.



DRAWN BY: AF

DATE: 08/02/07

SCALE: NOT TO SCALE

DRAWING NO.

CHECKED BY: IG

DATE: 04/05/07

REVISION: IG

BVF03