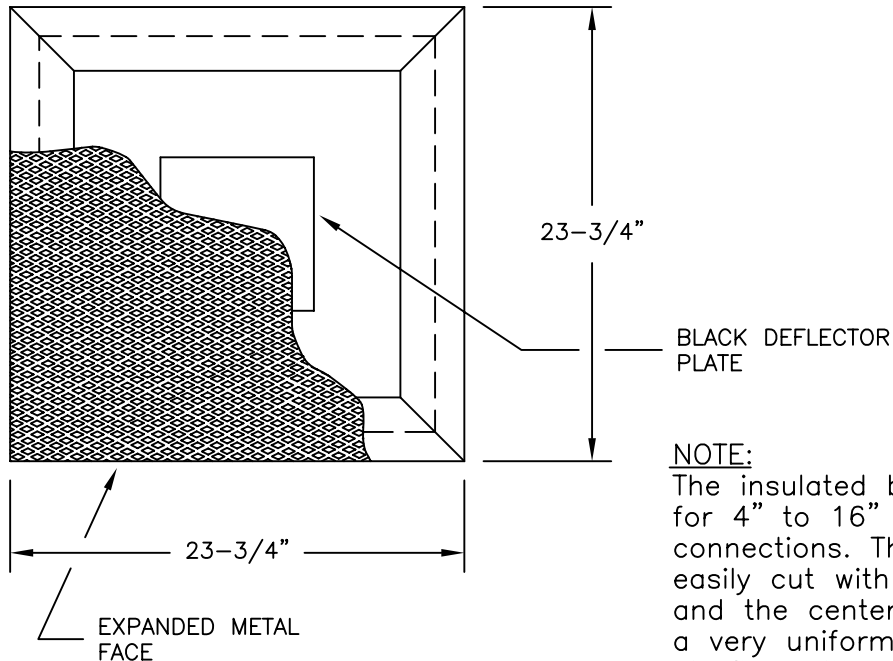
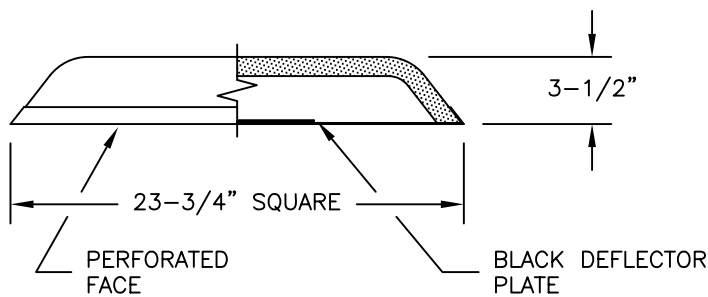


CONSTRUCTION:

- Complete molded R6 insulation back
- Expanded metal face
51% free area
- Deflector plate for uniform supply air pattern or removable for return air use

FEATURES:

- Superior sound absorption
- Light weight - Easily suspended
- Horizontal air flow pattern
 - No downdrafts
- Condensation free operation
- Electro-static baked enamel finish



NOTE:

The insulated back is stenciled for 4" to 16" flex duct connections. The molded back is easily cut with a pocket knife and the center connection provides a very uniform, widely dispersed, air flow without downdrafts.

NOTE: ALL DRAWINGS SUBJECT TO CHANGE WITHOUT PRIOR NOTICE.

TITLE:

MODEL EDB
EXPANDED METAL FACE, MOLDED BACK
CEILING DIFFUSER



DRN BY: CV	DATE: 09/27/99	SCALE: NTS	DRAWING NO. PD301-C
CKD BY: DJL	DATE: 2/15/00	REV: AO	