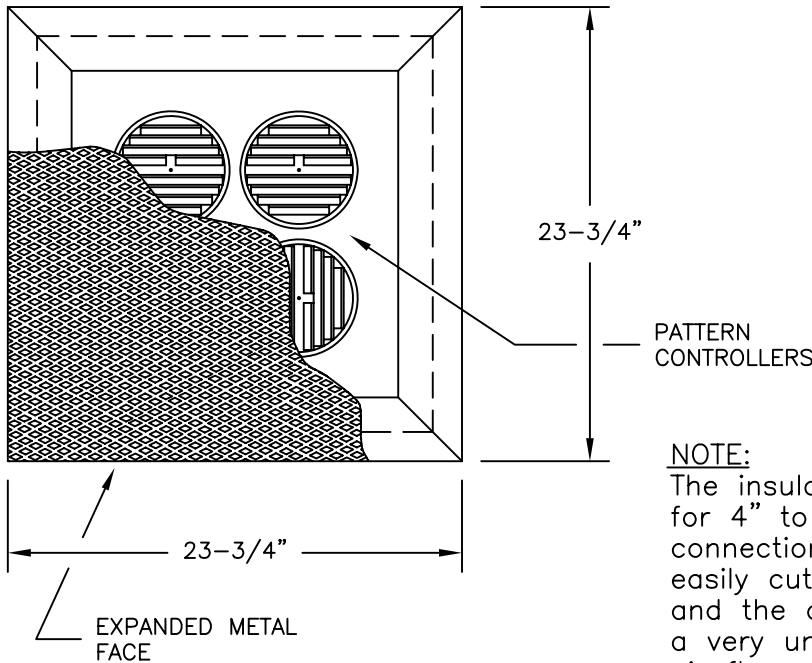
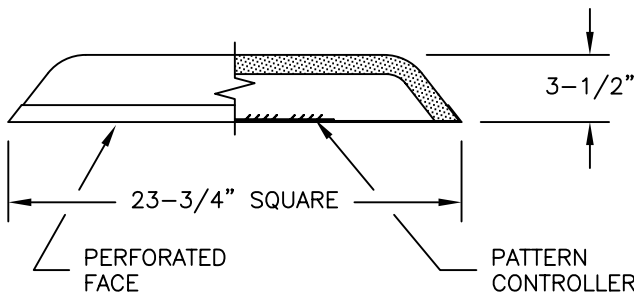


CONSTRUCTION:

- Complete molded R6 insulated back
- Expanded metal face
51% free area
- Adjustable pattern controller -
6" diameter louvered plates. Each plate may be individually adjusted to create desired air flow pattern. Plates are painted flat black and is removable for return air use

FEATURES:

- Superior sound absorption
- Light weight - Easily suspended
- Superior air flow pattern
 - No downdrafts
- Condensation free operation
- Electro-static baked enamel finish



NOTE:

The insulated back is stenciled for 4" to 16" flex duct connections. The molded back is easily cut with a pocket knife and the center connection provides a very uniform, widely dispersed, air flow without downdrafts.

NOTE: ALL DRAWINGS SUBJECT TO CHANGE WITHOUT PRIOR NOTICE.

TITLE:
 MODEL EDBA ADJUSTABLE
 EXPANDED METAL FACE, MOLDED BACK
 CEILING DIFFUSER



DRN BY: CV	DATE: 09/27/99	SCALE: NTS	DRAWING NO.
CKD BY: DJL	DATE: 2/15/00	REV: AO	PD301-D