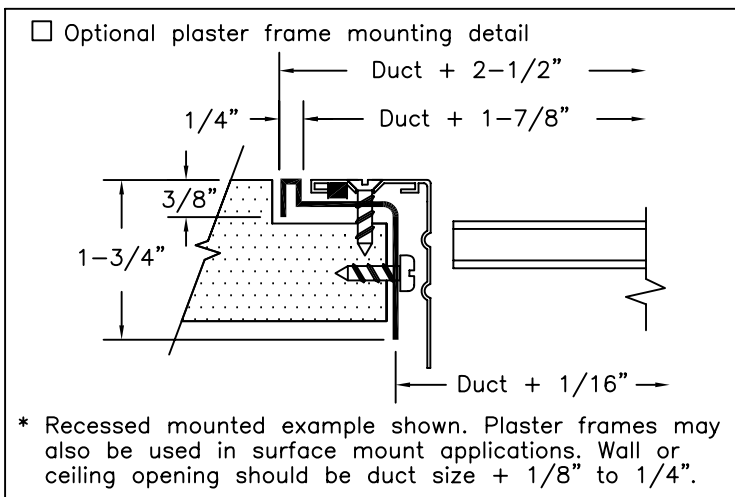
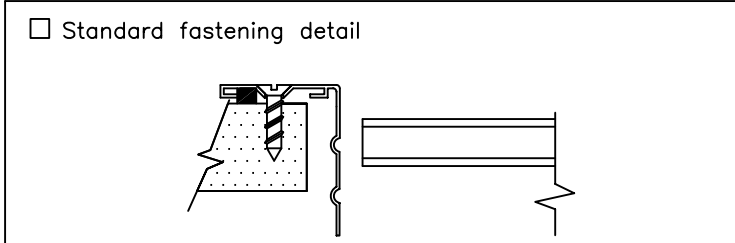


MODEL EV SHOWN

CONSTRUCTION NOTES:

- **Frame:** Heavy extruded aluminum. Frame is assembled using aluminum corner clips to assure hairline mitered corners.
- **Blades:** Tear-drop shape rollformed aluminum. Each blade is individually adjustable (without use of special tools). Blades are spaced 3/4" on centers and are mounted on pressure fitted polypropylene retainers to assure a quiet and rigid assembly.
- **Finish:** Powder coat baked enamel in the following colors;
 - White.
 - Satin aluminum.
- **Sizes:** 4" x 6" minimum, 36" x 48" maximum.
- **Gasket:** A sponge rubber gasket prevents leakage or streaking.
- **Optional Accessories:**
 - Damper:** Galvanized Steel Opposed Blade Damper is easily adjusted through face.
 - Insect screen:** (not recommended with damper option).



NOTE: ALL DRAWINGS SUBJECT TO CHANGE WITHOUT PRIOR NOTICE.

TITLE:
ALUMINUM SINGLE DEFLECTION SUPPLY
MODELS EV OR EH

DRN BY: CV	DATE: 09/16/99	SCALE: NTS	DRAWING NO. SG201-A
CKD BY: DJL	DATE: 2/15/00	REV: AO	