

STANDARD CONSTRUCTION

BACKPAN:
COLD ROLLED DQSK STEEL
NOMINAL WALL THICKNESS OF 0.026"

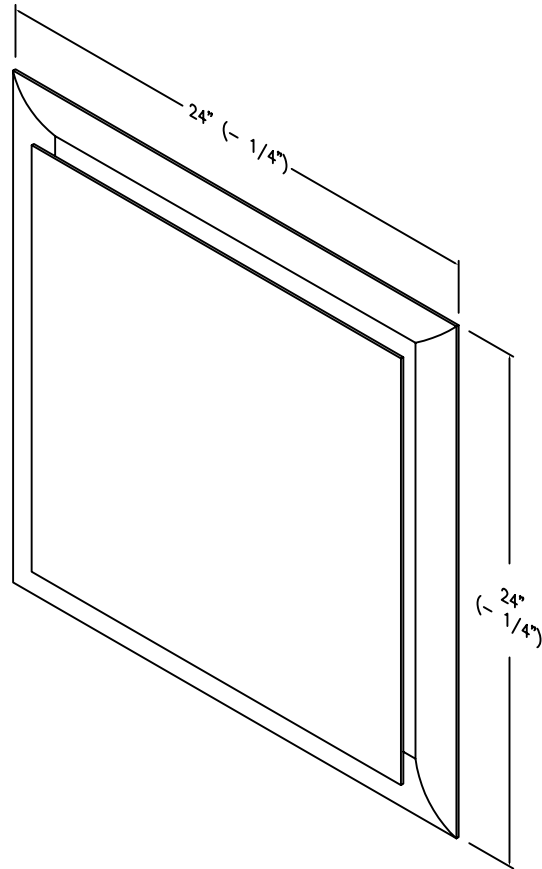
FLATPLATE:
COLD ROLLED STEEL
NOMINAL WALL THICKNESS OF 0.046"

FINISH:
POLYESTER SKY WHITE POWDER COAT (STANDARD)

OPTIONS:
FACTORY OR FIELD INSTALLED BUTTERFLY DAMPER (BCD)
FACTORY OR FIELD INSTALLED OPPOSED BLADE DAMPER (OBR)
AUXILIARY MOUNTING FRAME, FOR GYPSUM BOARD (SMA)
INSULATED BACKPAN (EPRI)
PATTERN CONTROLLER

STANDARD SIZES:

MODEL	DIMENSIONS	NECK DIAMETER
EPR6	24" X 24"	6"
EPR8	24" X 24"	8"
EPR10	24" X 24"	10"
EPR12	24" X 24"	12"
EPR14	24" X 24"	14"


FEATURES

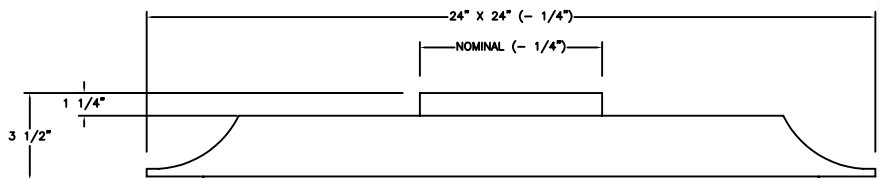
HEAVY GAUGE STEEL PROVIDES SUPERIOR DURABILITY.

DUPONT 100% POLYESTER POWDER COATING GIVES AN ATTRACTIVE BRIGHT WHITE FINISH AND PROVIDES ADDITIONAL PROTECTION FROM AGING AND WEAR.

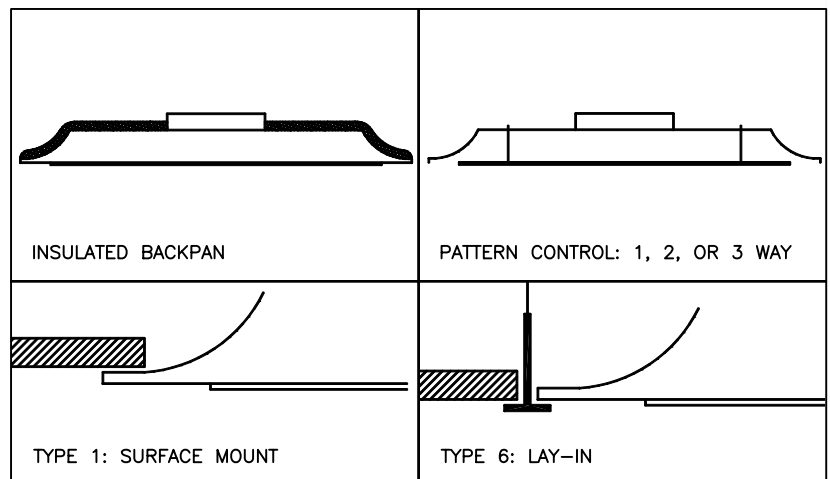
REMOVABLE FACE PANEL ALLOWS EASY DAMPER ACCESS.

SUPPLIES AIR IN A 360 DEGREE PATTERN.

AVAILABLE AS SURFACE MOUNT OR LAY-IN FRAME STYLES.



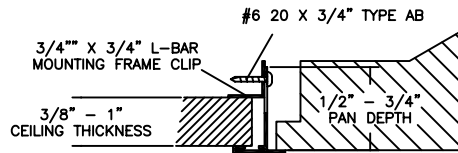
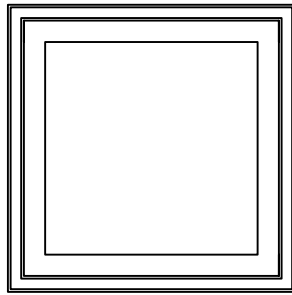
JOB NAME:
LOCATION:
ARCHITECT:
ENGINEER:
CONTRACTOR:
CONTACT GRILLE TECH INC. FOR ADDITIONAL INFORMATION OR WITH SPECIAL REQUIREMENTS. 5101 NW 36TH AVE MIAMI, FL 33142 PHONE: 305-537-0053 FAX: 305-577-0064 WEB: WWW.GRILLETECHINC.COM EMAIL: SALES@GRILLETECHINC.COM


EPR

SQUARE PANEL DIFFUSER
PRODUCT SPECIFICATIONS

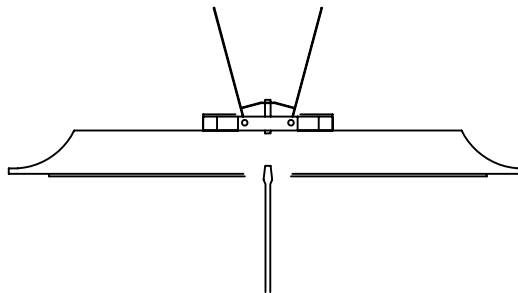
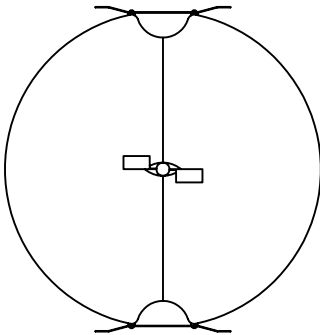
NOTE: ALL DRAWINGS SUBJECT TO CHANGE WITHOUT PRIOR NOTICE.

SMA



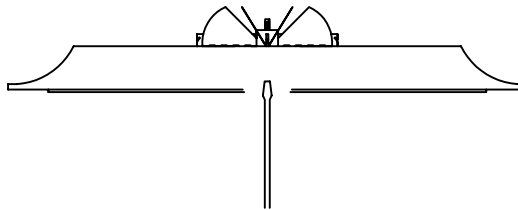
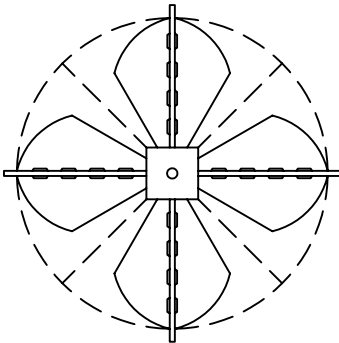
THE SMA IS AN AUXILIARY BRACKET THAT ALLOWS DROP-IN GRILLES TO BE MOUNTED TO PLASTER OR DRYWALL CEILINGS. THE BRACKET CAN ADJUST TO FIT FROM 3/8" UP TO 1" THICK CEILINGS, AND CAN ACCOMODATE PAN DEPTHS BETWEEN 1/2" AND 1 3/4". THIS UNIT HAS A SCREW AND SLOT HOLE ADJUSTING MECHANISM, MEANING THERE IS NO NEED FOR PRE-DRILLING OR SELF-TAPPING SCREWS.

BCD



THE BCD IS A CLIP-ON BUTTERFLY DAMPER THAT IS COMPATIBLE WITH BOTH THE SCF AND EPR DIFFUSERS. THIS DAMPER IS CONSTRUCTED USING 0.028" THICK GALVANIZED STEEL, AND IS AVAILABLE FOR 6", 8", 10", 12" AND 14" DUCT SIZES. INSTALLATION IS DONE BY SLIDING THE DAMPER INTO THE NECK OF THE DIFFUSER. THE BLADES OF THE BCD ARE EASILY ADJUSTED FROM THE OUTSIDE BOTTOM OF THE DIFFUSER WITH A SCREWDRIVER. STANDARD FINISH IS BROWN.

OBR



THE OBR IS A SNAP-ON RADIAL BUTTERFLY DAMPER THAT IS COMPATIBLE WITH BOTH THE SCF AND EPR DIFFUSERS. THIS DAMPER IS CONSTRUCTED USING 0.028" THICK GALVANIZED STEEL, AND IS AVAILABLE FOR 6", 8", 10", 12" AND 14" DUCT SIZES. INSTALLATION IS DONE BY TAPPING THE DAMPER ONTO THE NECK OF THE DIFFUSER WITH A LIGHT HAMMER. THE BLADES OF THIE OBR ARE EASILY ADJUSTED FROM THE OUTSIDE BOTTOM OF THE DIFFUSER WITH A SCREWDRIVER. STANDARD FINISH IS BROWN.

EPR

SQUARE PANEL DIFFUSER
PRODUCT SPECIFICATIONS

NOTE: ALL DRAWINGS SUBJECT TO CHANGE WITHOUT PRIOR NOTICE.