

**NOTE:**

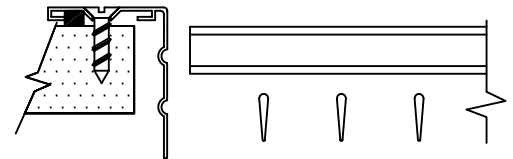
Specify horizontal dimension followed by vertical dimension.

**MODEL EHV or EVH WITH OPTIONAL DAMPER**

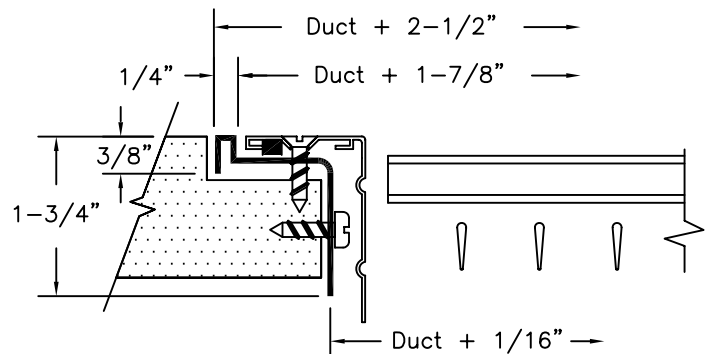
**CONSTRUCTION NOTES:**

- **Frame:** Heavy extruded aluminum. Frame is assembled using corner clips to assure hairline mitered corners.
- **Blades:** Tear-drop shape rollformed aluminum. Each blade is individually adjustable (without use of special tools). Blades are spaced 3/4" on centers and are mounted on pressure fitted polypropylene retainers to assure a quiet and rigid assembly.
- **Finish:** Powder coat baked enamel in the following colors;
  - White.
  - Satin aluminum.
- **Sizes:** 4" x 6" minimum, 36" x 48" maximum.
- **Gasket:** A sponge rubber gasket prevents leakage or streaking.
- **Optional Accessories:**
  - Damper:** Galvanized Steel Opposed Blade Damper is easily adjusted through face.
  - Insect screen:** (not recommended with damper option).

Standard fastening detail



Optional plaster frame mounting detail



\* Recessed mounted example shown. Plaster frames may also be used in surface mount applications. Wall or ceiling opening should be duct size + 1/8" to 1/4".

**NOTE:** ALL DRAWINGS SUBJECT TO CHANGE WITHOUT PRIOR NOTICE.

TITLE:

ALUMINUM DOUBLE DEFLECTION SUPPLY  
MODELS EHV OR EVH



DRN BY: CV	DATE: 2/8/00	SCALE: NTS	DRAWING NO.
CKD BY: DJL	DATE: 2/15/00	REV: A0	SG202-A