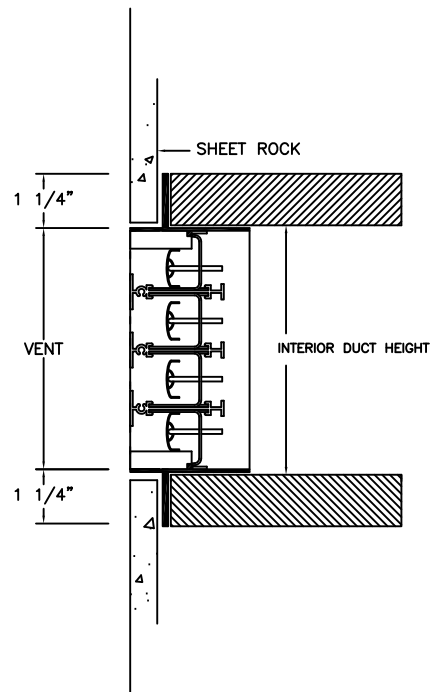
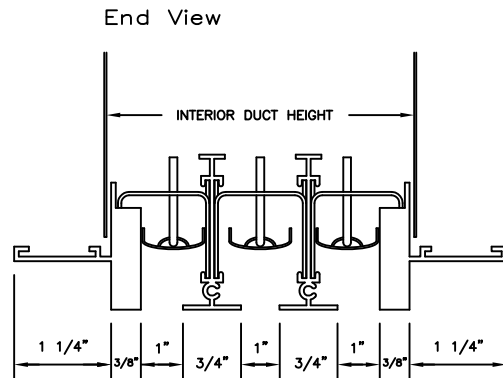


Interior Duct Height

NO. OF SLOTS	LS10/LR10
1	2"
2	3-7/8"
3	5-3/4"
4	7-1/2"



Construction Notes:

- FINISH:
 - PATTERN CONTROLLER: BLACK BAKED ENAMEL
 - DIFFUSER FACE:
 - W WHITE
- PATTERN CONTROLLERS CHANGE DIRECTION AND VOLUME OF AIRFLOW.
- MATERIAL IS EXTRUDED ALUMINUM WITH STEEL PATTERN CONTROLLERS.

FRLS

FRENCH RIVIERA LINEAR SLOT DIFFUSER
PRODUCT SPECIFICATIONS

NOTE: ALL DRAWINGS SUBJECT TO CHANGE WITHOUT PRIOR NOTICE.



Grille tech inc.

DRAWN BY: AV

DATE: 10/15/09

SCALE: NOT TO SCALE

DRAWING NO.

CHECKED BY: IV

DATE: 1/31/12

REVISION: B

FRLS