

**STANDARD CONSTRUCTION**

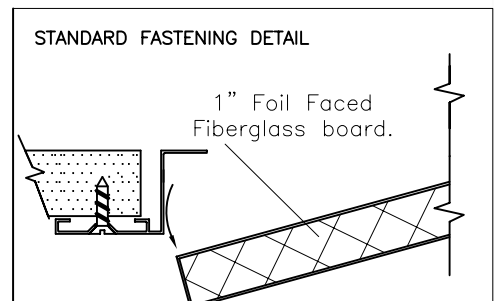
**FRAME:**  
 HEAVY EXTRUDED ALUMINUM  
 CORNER CLIPS ASSURE HAIRLINE MITERED CORNERS

**ACCESS DOORS:**  
 MADE OF STUCCO EMBOSSED GALV-ALUM STEEL SHEET (AZ50) WITH A PERIMETER ALUMINUM CHANNEL AND 1" R-4.2 FOIL FACED FIBERGLASS BOARD FOR INSULATION AND SOUND ATTENUATION

**INSTALLATION:**  
 OPENING MUST BE 1/2" LARGER THAN NECK SIZE  
 ATTACH USING SUPPLIED SCREWS. ALLOW 1-1/2" CLEARANCE WHEN INSTALLING BELOW A DAIKIN INDOOR UNIT.

- FINISH:**
- POLYESTER SKY WHITE POWDER COAT (STANDARD)
  - SPECIAL COLOR (SPECIFY \_\_\_\_\_)

DUPONT 100% POLYESTER POWDER COATING GIVES AN ATTRACTIVE BRIGHT WHITE FINISH AND PROVIDES ADDITIONAL PROTECTION FROM AGING AND WEAR.



FRAME CHART			
	MODEL	WIDTH	HEIGHT
1	APFXDQ070912	31 3/4"	29 3/4"
2	APFXDQ18	37 3/4"	29 3/4"
3	APFXDQ24	45 3/4"	29 3/4"

**DAIKIN FXDQ-SERIES**

ACCESS PANEL DOOR  
PRODUCT SPECIFICATIONS

NOTE: ALL DRAWINGS SUBJECT TO CHANGE WITHOUT PRIOR NOTICE.



DRAWN BY: AF	DATE: 09/18/07	SCALE: NOT TO SCALE	DRAWING NO. FXDQ07, 09, 12, 18, 24AP
CHECKED BY: IG	DATE: 09/18/07	REVISION: 1	