

STANDARD CONSTRUCTION

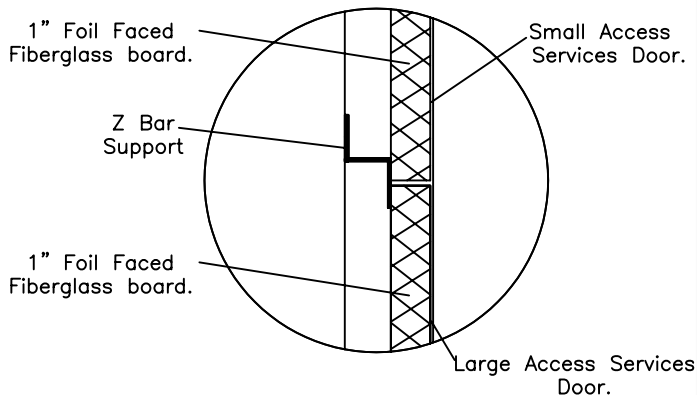
FRAME:
HEAVY EXTRUDED ALUMINUM
CORNER CLIPS ASSURE HAIRLINE MITERED CORNERS

ACCESS DOORS:
MADE OF STUCCO EMBOSSED GALV-ALUM STEEL SHEET (AZ50) WITH A PERIMETER ALUMINUM CHANNEL AND 1" R-4.2 FOIL FACED FIBERGLASS BOARD FOR INSULATION AND SOUND ATTENUATION

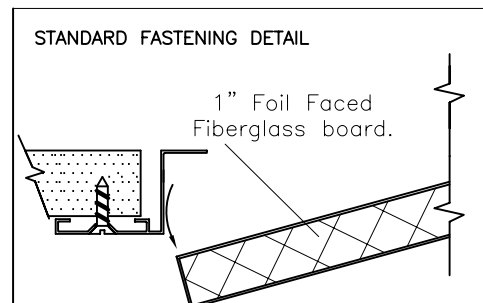
INSTALLATION:
ALLOW 2-1/2" CLEARANCE WHEN INSTALLING BELOW DAIKIN INDOOR UNIT.

- FINISH:**
- POLYESTER SKY WHITE POWDER COAT (STANDARD)
 - SPECIAL COLOR (SPECIFY _____)

DUPONT 100% POLYESTER POWDER COATING GIVES AN ATTRACTIVE BRIGHT WHITE FINISH AND PROVIDES ADDITIONAL PROTECTION FROM AGING AND WEAR.



FRAME CHART					
	MODEL	WIDTH	HEIGHT		
1	APFXSQ12	25 3/4"	35 3/4"		
2	APFXSQ18	31 3/4"	35 3/4"		
3	APFXSQ24	43 3/4"	35 3/4"		
4	APFXSQ303648	59 3/4"	35 3/4"		
RETURN AIR CORE CHART			SERVICE DOOR CHART		
	WIDTH	HEIGHT		WIDTH	HEIGHT
1	25 1/2"	11 1/2"	1	25 1/2"	24"
2	31 1/2"	11 1/2"	2	31 1/2"	24"
3	43 1/2"	11 1/2"	3	43 1/2"	24"
4	59 1/2"	11 1/2"	4	59 1/2"	24"



DAIKIN FXSQ-SERIES

ACCESS PANEL WITH DOUBLE DOOR
PRODUCT SPECIFICATIONS

NOTE: ALL DRAWINGS SUBJECT TO CHANGE WITHOUT PRIOR NOTICE.



DRAWN BY:	AF	DATE:	09/18/07	SCALE:	NOT TO SCALE	DRAWING NO.:	FXSQ12-48AP
CHECKED BY:	IG	DATE:	09/18/07	REVISION:	1		