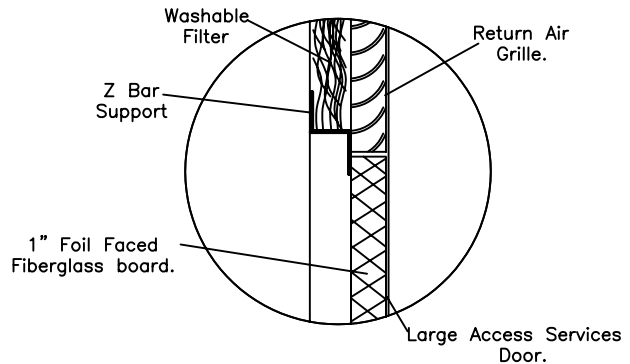


STANDARD CONSTRUCTION

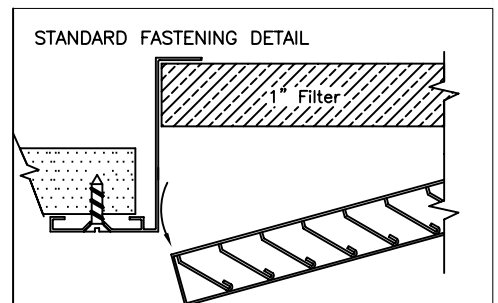
- **FRAME:**
HEAVY EXTRUDED ALUMINUM
CORNER CLIPS ASSURE HAIRLINE MITERED CORNERS
DESIGNED TO ACCOMODATE 1" THICK WIRE-REINFORCED
WASHABLE HOGHAIR FILTER (FILTER PROVIDED)
 - **BLADES:**
HEAVY ROLLFORM ALUMINUM. ALL BLADES FIXED AT 45
DEGREE IN AN ALL ALUMINUM CORE FRAME
 - **ACCESS DOORS:**
MADE OF STUCCO EMBOSSED GALV-ALUM STEEL SHEET
(AZ50) WITH A PERIMETER ALUMINUM CHANNEL AND 1" R-4.2
FOIL FACED FIBERGLASS BOARD FOR INSULATION AND SOUND ATTENUATION
- INSTALLATION**
ALLOW 2-1/2" CLEARANCE WHEN INSTALLING BELOW DAIKIN INDOOR UNIT.

- **FINISH:**
 POLYESTER SKY WHITE POWDER COAT (STANDARD)
 SPECIAL COLOR (SPECIFY _____)

DUPONT 100% POLYESTER POWDER COATING GIVES AN ATTRACTIVE BRIGHT WHITE FINISH AND PROVIDES ADDITIONAL PROTECTION FROM AGING AND WEAR.



FRAME CHART					
	MODEL	WIDTH	HEIGHT		
1	APRFFXSQ12	25 3/4"	35 3/4"		
2	APRFFXSQ18	31 3/4"	35 3/4"		
3	APRFFXSQ24	43 3/4"	35 3/4"		
4	APRFFXSQ303648	59 3/4"	35 3/4"		
RETURN AIR CORE CHART			SERVICE DOOR CHART		
	WIDTH	HEIGHT		WIDTH	HEIGHT
1	25 1/2"	11 1/2"	1	25 1/2"	24"
2	31 1/2"	11 1/2"	2	31 1/2"	24"
3	43 1/2"	11 1/2"	3	43 1/2"	24"
4	59 1/2"	11 1/2"	4	59 1/2"	24"



DAIKIN FXSQ-SERIES

ACCESS PANEL / RETURN AIR WITH FILTER
PRODUCT SPECIFICATIONS

NOTE: ALL DRAWINGS SUBJECT TO CHANGE WITHOUT PRIOR NOTICE.



DRAWN BY:	AF	DATE:	09/18/07	SCALE:	NOT TO SCALE	DRAWING NO.:	FXSQ12-48APRF
CHECKED BY:	IG	DATE:	09/18/07	REVISION:	1		