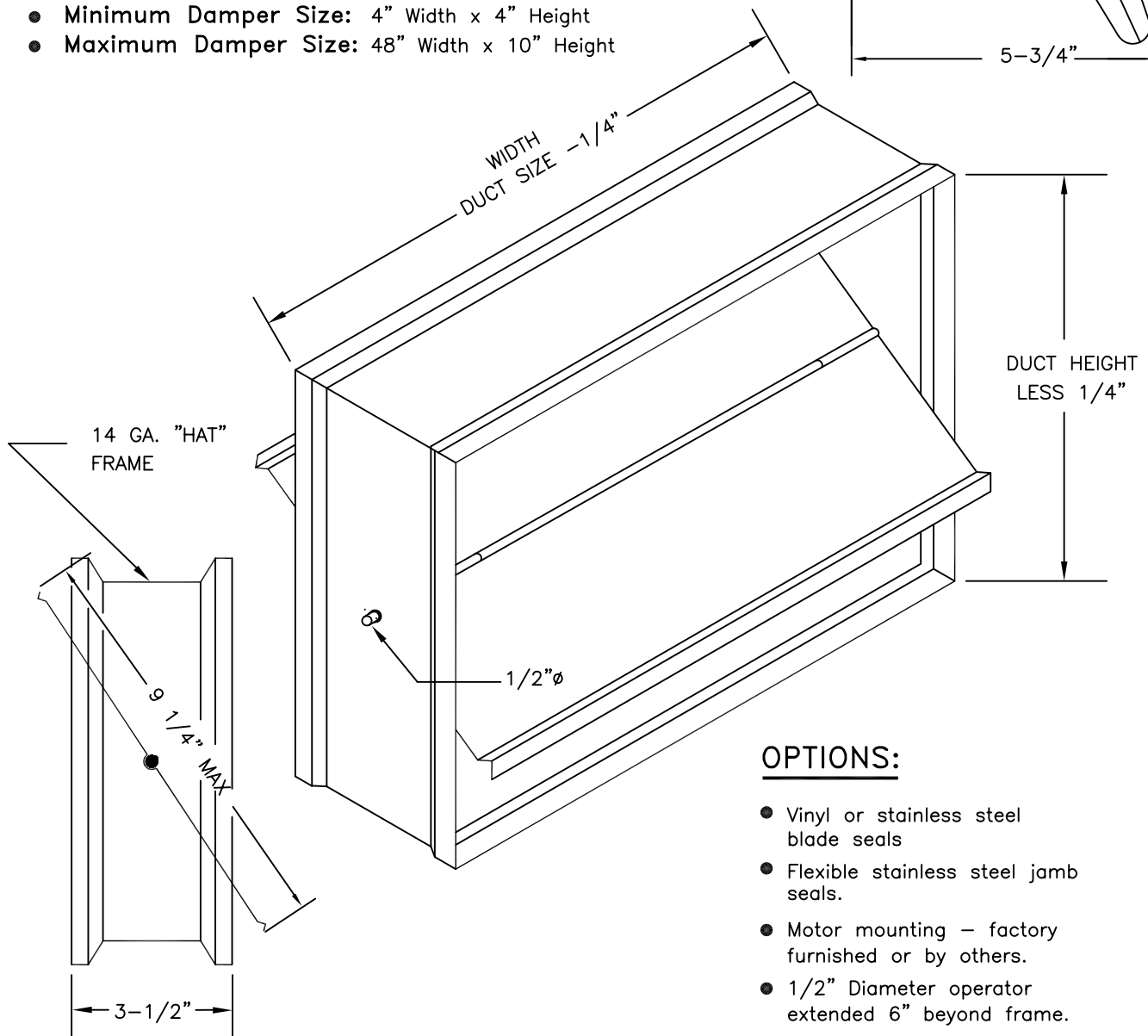
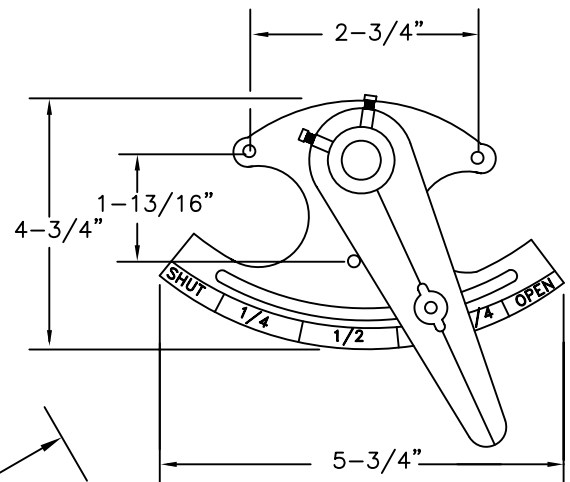


## CONSTRUCTION NOTES:

- **Frame:** 3-1/2"x 5/8"x 16 gauge roll-formed galvanized steel hat section with welded corners.
- **Blades:** 16 gauge roll-formed galvanized steel on 6" centers.
- **Bearings:** Permanently lubricated oilite bronze, press fit into frame.
- **Operator Shaft:** 1/2" diameter plated steel shaft extends 3" past frame.
- **Finish:** Mill galvanized.
- **Minimum Damper Size:** 4" Width x 4" Height
- **Maximum Damper Size:** 48" Width x 10" Height



## OPTIONS:

- Vinyl or stainless steel blade seals
- Flexible stainless steel jamb seals.
- Motor mounting – factory furnished or by others.
- 1/2" Diameter operator extended 6" beyond frame.

NOTE: ALL DRAWINGS SUBJECT TO CHANGE WITHOUT PRIOR NOTICE.

TITLE:

MODEL HSB  
CONTROL DAMPER  
SINGLE BLADE BALANCING DAMPER



DRN BY: CV	DATE: 10/11/99	SCALE: NTS	DRAWING NO.
CKD BY: DJL	DATE: 2/15/00	REV: A0	AC101-C