

WIDTH CHART:

MODEL:

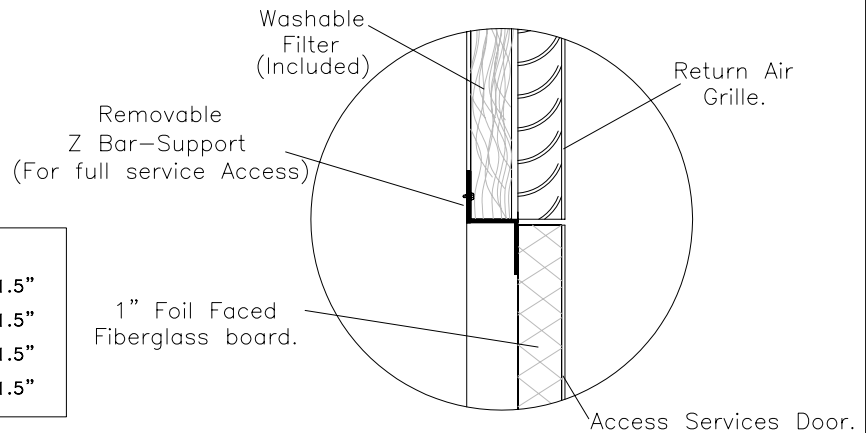
①	APRF18,24HX	= 39-3/4"
②	APRF25,30HX	= 45-3/4"
③	APRF31,36HX	= 52-1/4"
④	APRF37HX	= 59-3/4"

RETURN AIR CORE CHART

①	39.5" X 11.5"
②	45.5" X 11.5"
③	52.0" X 11.5"
④	59.5" X 11.5"

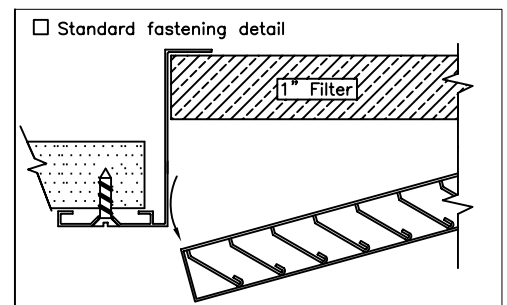
SERVICE DOOR CHART

①	39.5" X 11.5"
②	45.5" X 11.5"
③	52.0" X 11.5"
④	59.5" X 11.5"



CONSTRUCTION NOTES:

- **Frame:** Heavy extruded aluminum construction. Frame is assembled using corner clips to assure hairline mitered corners and is designed to accommodate 1" thick washable filter medium provided at the factory. 1" Washable filter hoghair type and wire reinforced.
- **Blades:** Heavy rollformed aluminum. Each blade is permanently fixed at 45° in all aluminum core frame.
- **Access Door:** Made of stucco embossed galv-alumn. sheet (AZ50) with a perimeter aluminum channel and 1" R-4.2 foil faced fiberglass board for insulation and sound attenuation.
- **Installation:** Allow 2-1/2" clearance when installing below Daikin Indoor unit.
- **Finish:** Sky white powder coat paint by Dupont (100% polyester).
 Special (specify _____)



NOTE: ALL DRAWINGS SUBJECT TO CHANGE WITHOUT PRIOR NOTICE.

TITLE:

FIRST CO. HX-SERIES
ACCESS PANEL/RETURN AIR
WITH FILTER.

GRILLE TECH INC.

DRN BY: JR	DATE: 07/14/06	SCALE: NTS	DRAWING NO.
CKD BY: IG	DATE: 07/14/06	REV: IG	HX24,25,30,31,36,37