



STANDARD CONSTRUCTION

MATERIAL:
26 GAUGE ASTM A-653 HOT-DIPPED GALVANIZED STEEL SHEET
R4 DIFFUSER BOARD (FOR LPBI MODELS)

STANDARD SIZES:

12" TO 60" INCHES LONG
FOR ONE TO FOUR SLOT SERIES LS/LR ADJUSTABLE LINEAR SLOT DIFFUSERS
COLLAR DIAMETERS FROM 4" TO 10" (nominal - 1/4")

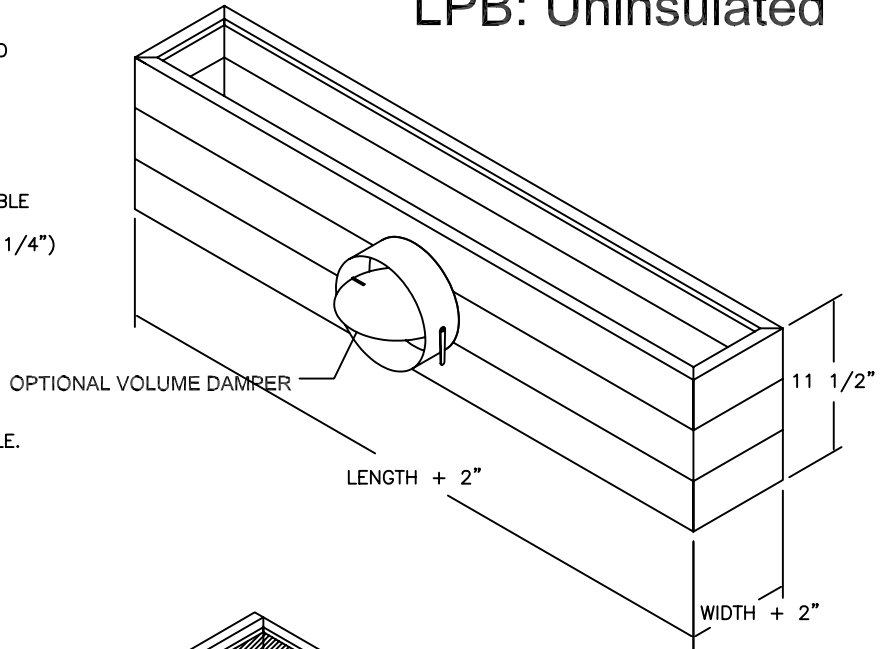
FEATURES

GALVANIZED STEEL PROVIDES EXCELLENT CORROSION RESISTANCE AND LONGEVITY.

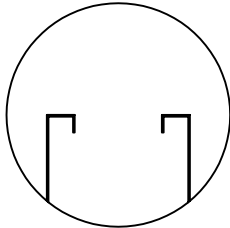
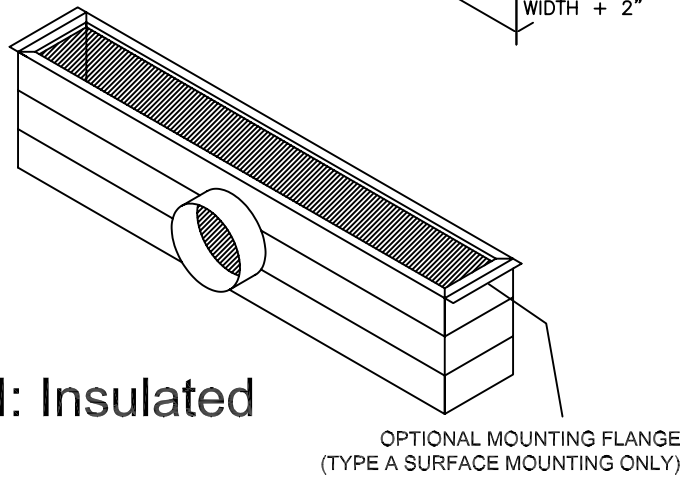
AVAILABLE IN OTHER GAUGES.

CUSTOM SIZES AND MULTIPLE COLLARS AVAILABLE.

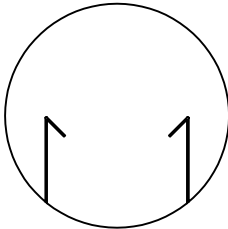
LPB: Uninsulated



LPBI: Insulated



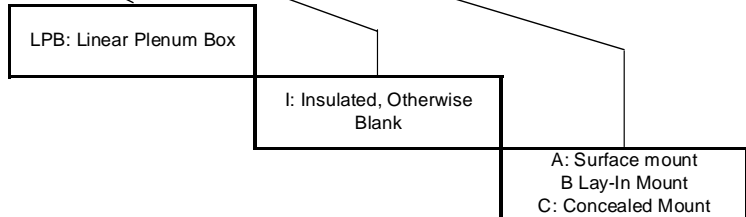
PROFILE FOR A-TYPE (SURFACE MOUNT) AND B-TYPE (LAY-IN TYPE) SLOT DIFFUSERS



PROFILE FOR C-TYPE (CONCEALED MOUNT) SLOT DIFFUSERS

PART NOMENCLATURE

MODEL NUMBER	INSULATION	BORDER TYPE	LENGTH	WIDTH	COLLAR DIA
LPB	I	B	36	375	08



JOB NAME: _____
 LOCATION: _____
 ARCHITECT: _____
 ENGINEER: _____
 CONTRACTOR: _____

CONTACT MIAMI TECH INC. FOR ADDITIONAL INFORMATION OR WITH SPECIAL REQUIREMENTS.

3611 NW 74TH ST
 MIAMI, FL 33147
 PHONE: 305-693-7054 FAX: 305-693-6152

WEB: WWW.MIAMITECH.COM
 EMAIL: SALES@MIAMITECH.COM

LPB/LPBI

LINEAR PLENUM BOX – INSULATED AND UNINSULATED PRODUCT SPECIFICATIONS

NOTE: ALL DRAWINGS SUBJECT TO CHANGE WITHOUT PRIOR NOTICE.



DRAWN BY: AV	DATE: 1/5/11	SCALE: NOT TO SCALE
CHECKED BY: IV	DATE: -	REVISION: A

DRAWING NO. LPB/LPBI