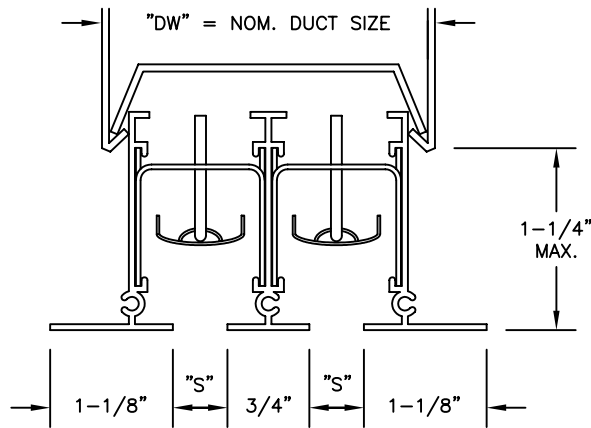


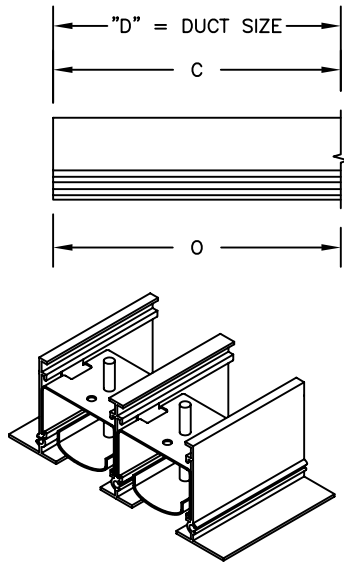
End View



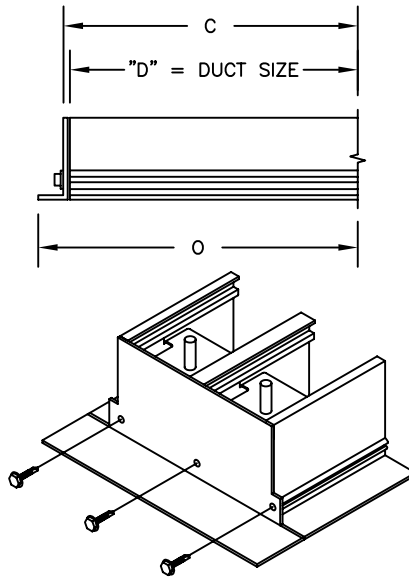
Duct Width Dimension ("DW")

NO. OF SLOTS	LS50/LR50 "S" = 1/2"	LS75/LR75 "S" = 3/4"	LS10/LR10 "S" = 1"
1	1-5/8"	1-7/8"	2-1/8"
2	2-7/8"	3-3/8"	3-7/8"
3	4-1/8"	4-7/8"	5-5/8"
4	5-3/8"	6-3/8"	7-3/8"
5	6-5/8"	7-7/8"	9-1/8"
6	7-7/8"	9-3/8"	10-7/8"
7	9-1/8"	10-7/8"	12-5/8"
8	10-3/8"	12-3/8"	14-3/8"

Open End



Flanged End



Construction Notes:

- FINISH:
 - PATTERN CONTROLLER: BLACK BAKED ENAMEL
 - DIFFUSER FACE: □ W WHITE
- PATTERN CONTROLLERS CHANGE DIRECTION AND VOLUME OF AIRFLOW.
- MATERIAL IS EXTRUDED ALUMINUM WITH STEEL PATTERN CONTROLLERS.
- MODELS LSP AND LSPI PLENUMS ARE AVAILABLE IN 24", 36", 48", AND 60" NOMINAL LENGTHS UP TO 4 SLOTS (SEE SUBMITTAL #LS201-C).

Duct Length Dimensions ("DL")

FRAME TYPE	END CONFIGURATIONS					
	Open/Open		Flanged/Flanged		Open/Flanged	
	C	O	C	O	C	O
C	D	D	D-1/2"	D+1 1/2"	D-1/4"	D+3/4"

D = Duct Size
 C = End Cap Position
 O = Overall Length

NOTE: ALL DRAWINGS SUBJECT TO CHANGE WITHOUT PRIOR NOTICE.

TITLE:

MODEL LS/LR
 LINEAR SLOT DIFFUSER
 FRAME TYPE C

MIAMI TECH INC.

DRN BY: AV	DATE: 11/30/99	SCALE: NTS	DRAWING NO. LS-C
CKD BY: IV	DATE: 9/20/09	REV: C	