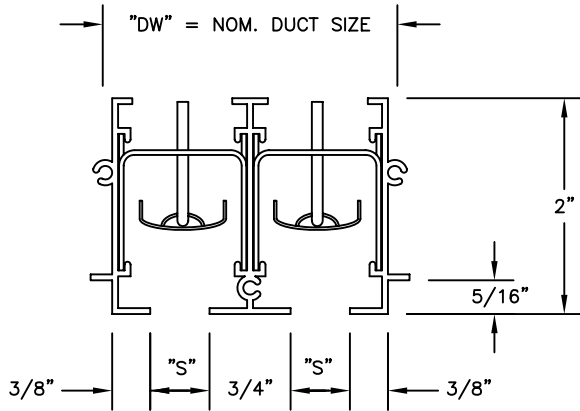


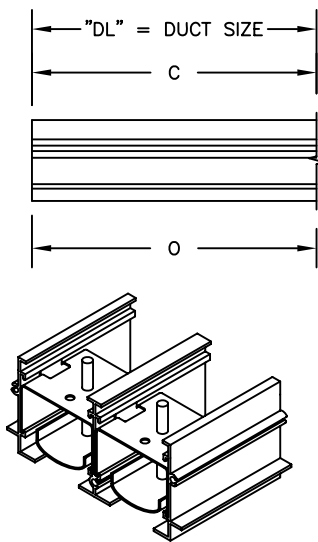
End View



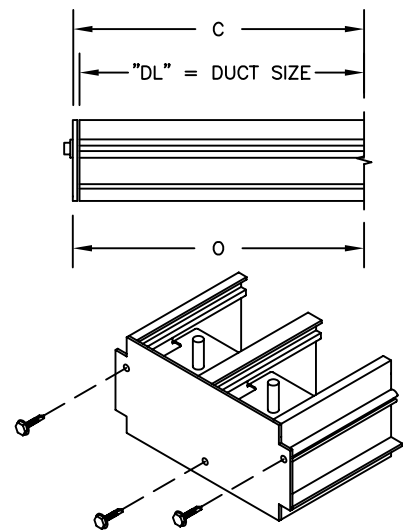
Duct Width Dimension ("DW")

NO. OF SLOTS	LS50/LR50 "S" = 1/2"	LS75/LR75 "S" = 3/4"	LS10/LR10 "S" = 1"
1	1-5/8"	1-7/8"	2-1/8"
2	2-7/8"	3-3/8"	3-7/8"
3	4-1/8"	4-7/8"	5-5/8"
4	5-3/8"	6-3/8"	7-3/8"
5	6-5/8"	7-7/8"	9-1/8"
6	7-7/8"	9-3/8"	10-7/8"
7	9-1/8"	10-7/8"	12-5/8"
8	10-3/8"	12-3/8"	14-3/8"

Open End



Hidden End



Duct Length Dimensions ("DL")

D = DUCT SIZE, C = END CAP POSITION, O = OVERALL LENGTH

END CONFIGURATIONS					
Open/Open		Open/Hidden		Hidden/Hidden	
C	O	C	O	C	O
D	D	D+1/16"	D+1/16"	D+1/8"	D+1/8"

Construction Notes:

T-BAR MOUNTING

1. FINISH:

- PATTERN CONTROLLER: BLACK
- DIFFUSER FACE: □ W WHITE

2. PATTERN CONTROLLERS CHANGE DIRECTION AND VOLUME OF AIRFLOW.
3. MATERIAL IS EXTRUDED ALUMINUM WITH STEEL PATTERN CONTROLLERS.
4. MODELS LSP AND LSPI PLENUMS ARE AVAILABLE IN 24", 36", 48", AND 60" NOMINAL LENGTHS UP TO 4 SLOTS (SEE SUBMITTAL #LS201-B).

NOTE: ALL DRAWINGS SUBJECT TO CHANGE WITHOUT PRIOR NOTICE.

TITLE:

MODEL LS/LR
LINEAR SLOT DIFFUSER
FOR DONN FINE LINE
OR TEGULAR



DRN BY: CV	DATE: 4/27/00	SCALE: NTS	DRAWING NO. LS101-D
CKD BY: DJL	DATE: 4/27/00	REV: A0	