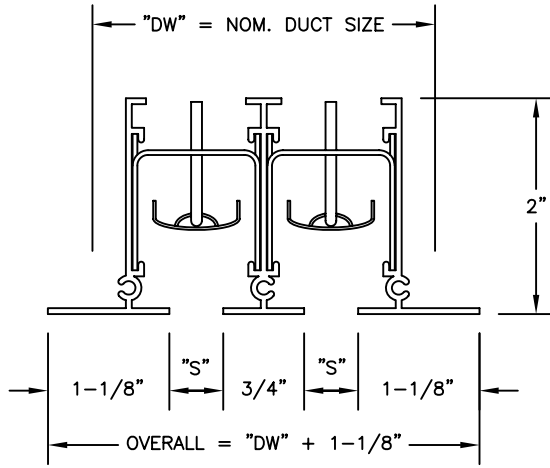


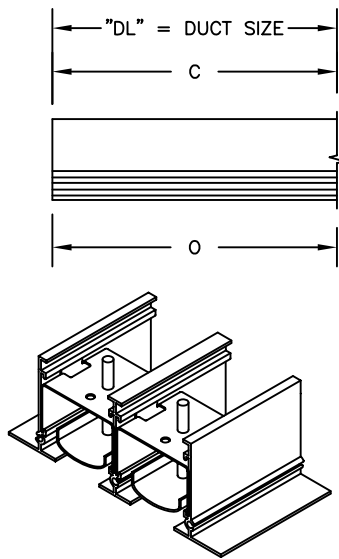
End View



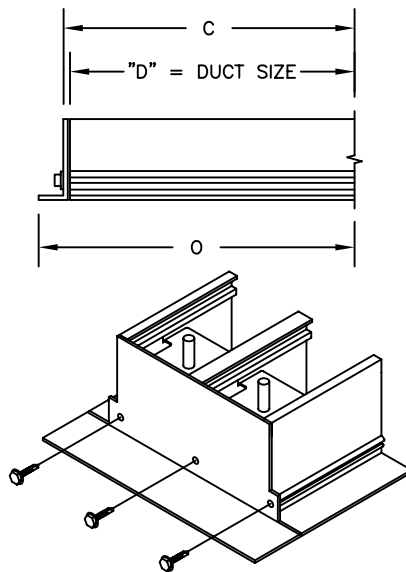
Duct Width Dimension ("DW")

NO. OF SLOTS	LS50/LR50 "S" = 1/2"	LS75/LR75 "S" = 3/4"	LS10/LR10 "S" = 1"
1	1-5/8"	1-7/8"	2-1/8"
2	2-7/8"	3-3/8"	3-7/8"
3	4-1/8"	4-7/8"	5-5/8"
4	5-3/8"	6-3/8"	7-3/8"
5	6-5/8"	7-7/8"	9-1/8"
6	7-7/8"	9-3/8"	10-7/8"
7	9-1/8"	10-7/8"	12-5/8"
8	10-3/8"	12-3/8"	14-3/8"

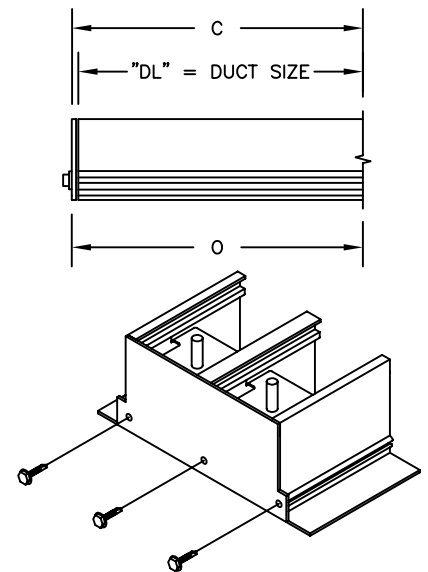
Open End



Flanged End



Hidden End



Duct Length Dimensions ("DL")

D = DUCT SIZE, C = END CAP POSITION, O = OVERALL LENGTH

END CONFIGURATIONS

Open/Open		Open/Hidden		Hidden/Hidden		Flanged/Flanged		Open/Flanged		Hidden/Flanged	
C	O	C	O	C	O	C	O	C	O	C	O
D	D	D+1/16"	D+1/16"	D+1/8"	D+1/8"	D-1/2"	D+1 1/2"	D-1/4"	D+3/4"	D-5/16"	D+13/16"

Construction Notes:

- SURFACE:
 - TYPE A = SURFACE MOUNTING (SCREW HOLES)
 - TYPE B = DUCT MOUNTING (NO SCREW HOLES)
- FINISH:
 - PATTERN CONTROLLER: BLACK BAKED ENAMEL
 - DIFFUSER FACE:
 - W WHITE
- PATTERN CONTROLLERS CHANGE DIRECTION AND VOLUME OF AIRFLOW.
- MATERIAL IS EXTRUDED ALUMINUM WITH STEEL PATTERN CONTROLLERS.
- MODELS LSP AND LSPI PLENUMS ARE AVAILABLE IN 24", 36", 48", AND 60" NOMINAL LENGTHS UP TO 4 SLOTS (SEE SUBMITTAL #LS201-B).

NOTE: ALL DRAWINGS SUBJECT TO CHANGE WITHOUT PRIOR NOTICE.

TITLE:

MODEL LS/LR
LINEAR SLOT DIFFUSER
FRAME TYPE A and B



DRN BY: CV	DATE: 11/30/99	SCALE: NTS	DRAWING NO. LS101-AB
CKD BY: DJL	DATE: 2/15/00	REV: A0	