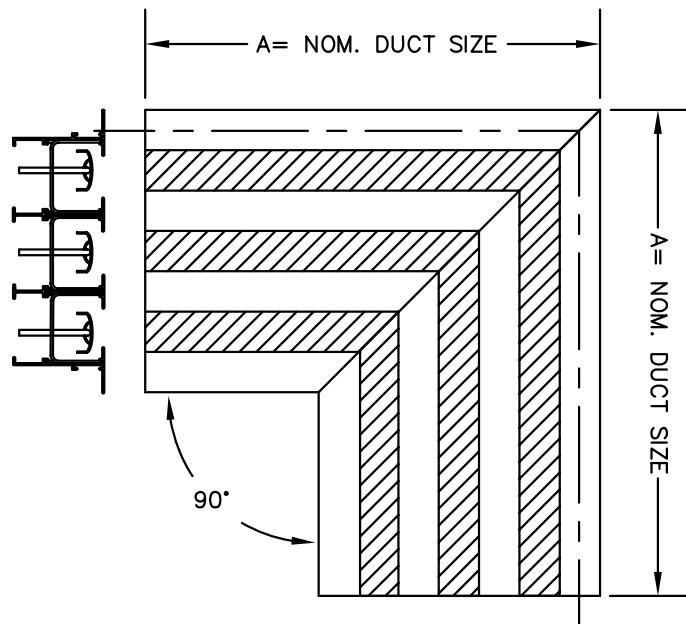


- LS50MC: 90° MITRED CORNER WITH 1/2" SLOT WIDTH.
- LS75MC: 90° MITRED CORNER WITH 3/4" SLOT WIDTH.
- LS10MC: 90° MITRED CORNER WITH 1" SLOT WIDTH.



NOTES:

- MITRED CORNER ASSEMBLIES ARE AVAILABLE ON THE FOLLOWING FRAME STYLES: A,C,D.
- REFER TO STANDARD LS/LR SUBMITTALS FOR OVERALL DIMENSIONS, AVAILABLE FRAME STYLES AND END FRAME CONFIGURATION.
- NOMINAL SIZES OF MITRED CORNER ASSEMBLIES ARE:

NO. OF SLOTS	A
1 TO 5	12"
6 TO 10	24"

TITLE:

MODEL LSMC
MITRED CORNER SECTIONS
LS/LR LINEAR DIFFUSERS



DRN BY: CV	DATE: 4/10/00	SCALE: NTS	DRAWING NO. LS301-A
CKD BY: DJL	DATE: 4/10/00	REV: AO	