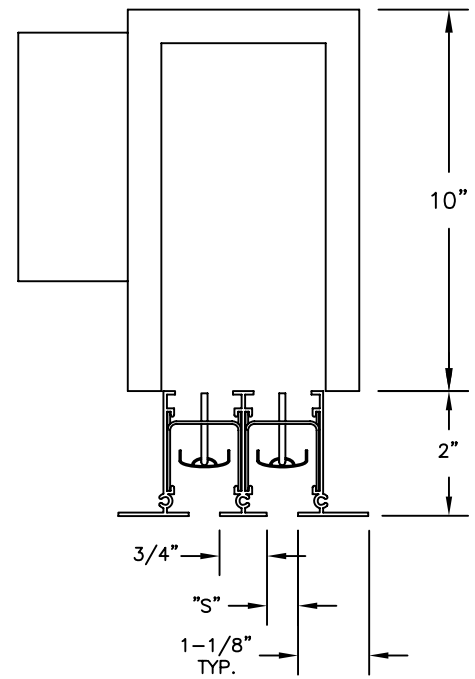


Typical Collar Location



"S" = Slot Width

CONSTRUCTION NOTES:

Linear Slot Boot Plenum: 24 to 60 inches long, for one to four slot series ls adjustable linear slot diffusers, are recommended for applications where duct connections to factory fabricated **Diffuser Plenum** assemblies simplify installation. Linear plenums are fabricated of 22 ga. Galvanized steel, and are available with round inlet dampers as an option.

Insulated Plenums: are thermally and acoustically lined with 1/2" x 4 lb. density glass fiber material.

Adjustable Linear Slot Diffusers: are fabricated of aluminum extrusions. The air pattern deflectors are accessible through the slot openings for adjustment and are flat black. Diffuser face is painted white.

DUCT WIDTH "D" DIMENSION FOR AVAILABLE FRAMES

NO. OF SLOTS	LS50	LS75	LS10
	LR50	LR75	LR10
	1/2"	3/4"	1"
1	1-5/8"	1-7/8"	2-1/8"
2	2-7/8"	3-3/8"	3-7/8"
3	4-1/8"	4-7/8"	5-5/8"
4	5-3/8"	6-3/8"	7-3/8"

NOTE: ALL DRAWINGS SUBJECT TO CHANGE WITHOUT PRIOR NOTICE.

TITLE: MODEL LSP/LSPI LINEAR SLOT AND INSULATED PLENUMS FOR LAY-IN APPLICATIONS TYPE B



DRN BY: CV	DATE: 2/8/00	SCALE: NTS	DRAWING NO. LS201-B
CKD BY: DJL	DATE: 2/15/00	REV: A0	