



STANDARD CONSTRUCTION

FRAME:
6063T5 EXTRUDED ALUMINUM
NOMINAL WALL THICKNESS OF 0.081"
UNIVERSAL C-CHANNEL FRAME

BLADES:
6063T5 EXTRUDED ALUMINUM
NOMINAL WALL THICKNESS OF 0.081"
SPACED AT APPROX. 4.5" CENTERS

BEARINGS:
PERMANENTLY LUBRICATED NYLON BUSHING, PRESS FIT INTO FRAME

GASKET:
1"x1/4" FOAM GASKET

OPERATOR MOTOR:
HIGH-TORQUE ACTUATOR (24/110VAC)

FINISH :
MILL ALUMINUM

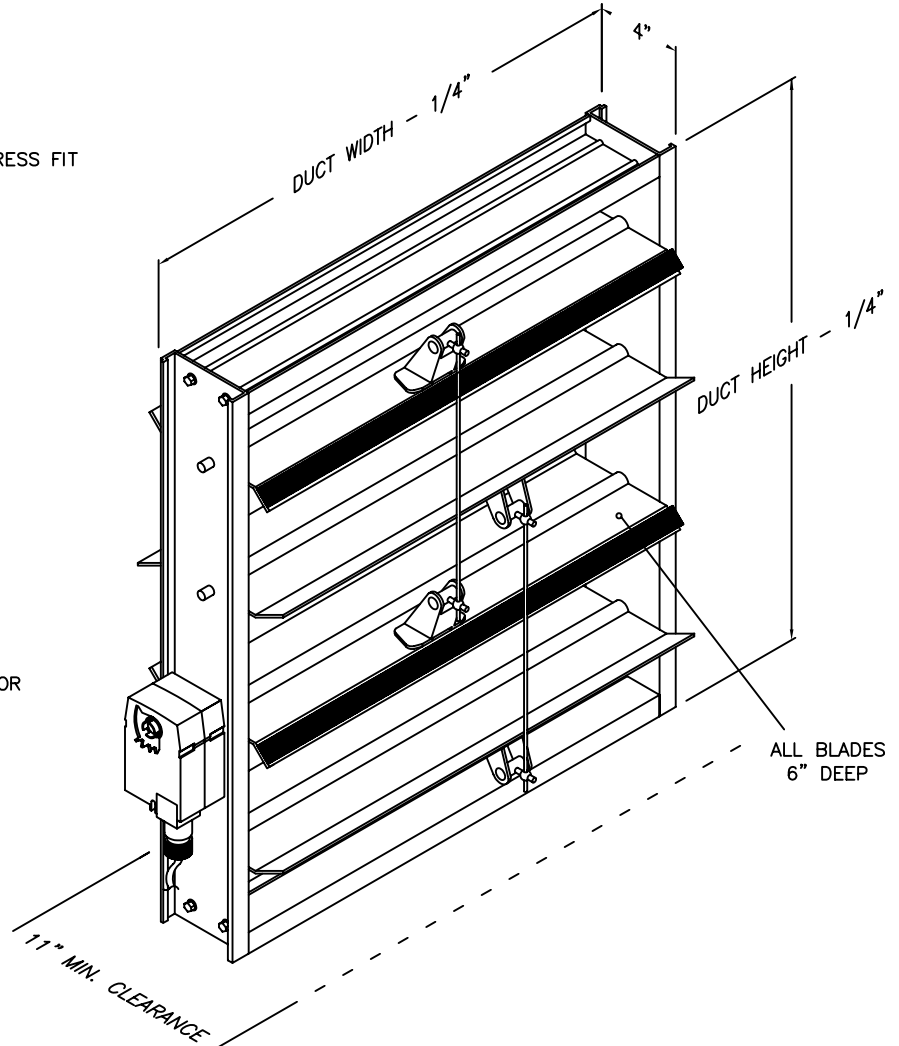
MINIMUM SIZE:
12" W X 12" H

MAXIMUM DAMPER SIZE WITH SINGLE MOTOR:
60" W X 48" H

FEATURES

HEAVY EXTRUDED ALUMINUM PROVIDES SUPERIOR DURABILITY AND RESISTS CORROSION.

SOLID HARDWARE ALLOWS SMOOTH OPERATION.



JOB NAME:
LOCATION:
ARCHITECT:
ENGINEER:
CONTRACTOR:
CONTACT MIAMI TECH INC. FOR ADDITIONAL INFORMATION OR WITH SPECIAL REQUIREMENTS.
5101 NW 36TH AVE MIAMI FL 33147 PHONE: 305-537-0053 FAX: 305-577-0064
WEB: WWW.GRILLETECHINC.COM EMAIL: SALES@GRILLETECHINC.COM

MOBDXX-POSC

MOTORIZED OPPOSED BLADE DAMPER
POWER OPEN, SPRING CLOSE
PRODUCT SPECIFICATIONS

NOTE: ALL DRAWINGS SUBJECT TO CHANGE WITHOUT PRIOR NOTICE.



DRAWN BY: AF	DATE: 12/13/07	SCALE: NOT TO SCALE	DRAWING NO. MOBD
CHECKED BY: IG	DATE: 12/13/07	REVISION: IG	