



**STANDARD CONSTRUCTION**

**MATERIAL:**

**BODY AND BLADES: 6063T5 ALUMINUM EXTRUSION**

**GASKET: VINYL GASKET EXTRUSION**

**GEARS: 2" ROUND GLASS-FILLED FIRE-RETARDANT NYLON**

**MINIMUM SIZE: 6X4"  
MAXIMUM SIZE: 18X36"**

**MZD DAMPERS AVAILABLE WITH TWO (2) MOTOR ACTUATOR STYLES:  
POPC: POWER OPEN, POWER CLOSE (24VAC) (EX. MZD1212-POPC)  
POSC: POWER OPEN (24VAC), SPRING CLOSE (EX. MZD1408-POSC)**

**FEATURES**

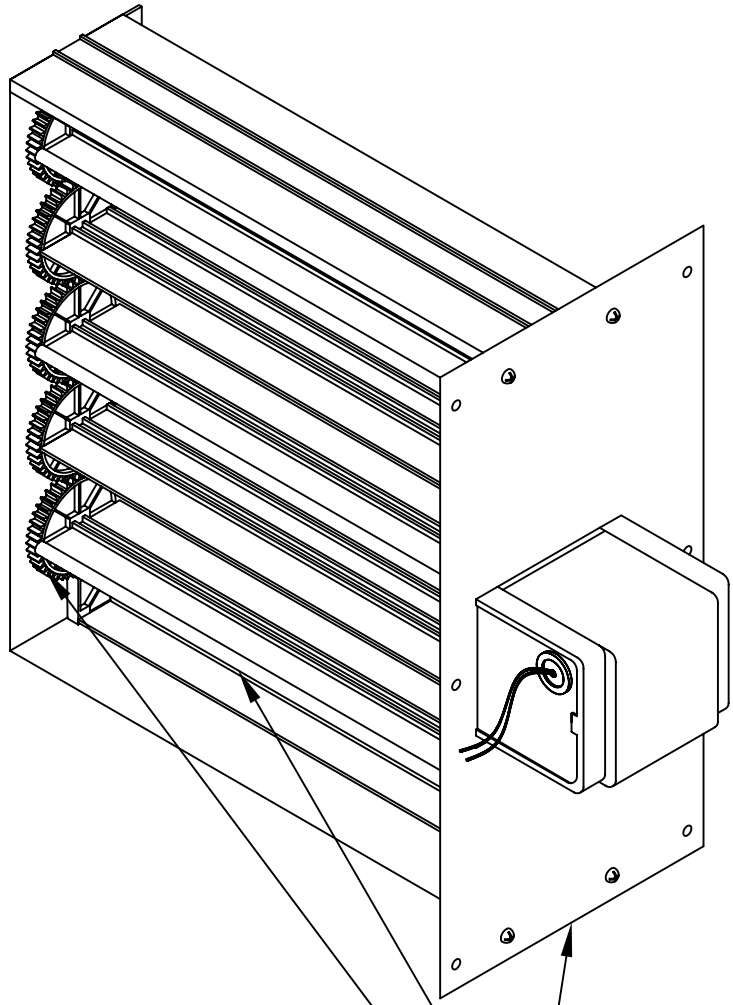
**FOR USE IN COMPLETE ZONE CONTROL SYSTEMS OR AS A SIMPLE FLOW SWITCH OF RETURN AIR BETWEEN LOW AND HIGH RETURNS.**

**EXTRUDED ALUMINUM PROVIDES EXCELLENT CORROSION RESISTANCE AND LONGEVITY.**

**BLADE EDGE RUBBER GASKET TO REDUCE LEAKAGE WHEN DAMPER IS CLOSED**

**THE MZD ALLOW FOR RETROFITTING THROUGH AN OPENING CUT IN THE SIDE OF A DUCT, SECURED WITH 6 SCREWS THROUGH THE MOUNTING PLATE TO THE DUCT**

**OPTIONS: CUSTOM SIZES AVAILABLE.**



MOUNTING PLATE

VINYL GASKET

2" NYLON GEARS

JOB NAME:
LOCATION:
ARCHITECT:
ENGINEER:
CONTRACTOR:
CONTACT MIAMI TECH INC. FOR ADDITIONAL INFORMATION OR WITH SPECIAL REQUIREMENTS.
5101 NW 36TH AVE MIAMI FL 33147 PHONE: 305-537-0053 FAX: 305-577-0064
WEB: WWW.GRILLETECHINC.COM EMAIL: SALES@GRILLETECHINC.COM

**MZDXX-POXC**

**Motorized Zone Damper, Rectangular  
PRODUCT SPECIFICATIONS**

NOTE: ALL DRAWINGS SUBJECT TO CHANGE WITHOUT PRIOR NOTICE.



DRAWN BY: AV	DATE: 2/24/11	SCALE: NOT TO SCALE	DRAWING NO.
CHECKED BY: IV	DATE:	REVISION: 1	

MZD