

STANDARD CONSTRUCTION

MATERIAL:
22 GAUGE ASTM A-653 HOT-DIPPED GALVANIZED STEEL SHEET

STANDARD SIZES:

MODEL*	DIAMETER	BODY LENGTH	QTY
MZDR04-POPC	4	10"	1
MZDR05-POPC	5	10"	1
MZDR06-POPC	6	10"	1
MZDR07-POPC	7	10"	1
MZDR08-POPC	8	10"	1
MZDR09-POPC	9	12"	1
MZDR10-POPC	10	12"	1
MZDR12-POPC	12	16"	1
MZDR14-POPC	14	16"	1
MZDR16-POPC	16	20"	1
MZDR18-POPC	18	20"	1

*MZDR DAMPERS AVAILABLE WITH TWO (2) MOTOR ACTUATOR STYLES:
POPC: POWER OPEN, POWER CLOSE (24VAC)
POSC: POWER OPEN (24VAC), SPRING CLOSE

OPERATION CAN BE REVERSED FROM POSC TO PCSO (POWER CLOSE, SPRING OPEN) BY LOOSENING SHAFT COLLAR SET SCREW, AND RESETTING BLADE AT 90 DEGREES.

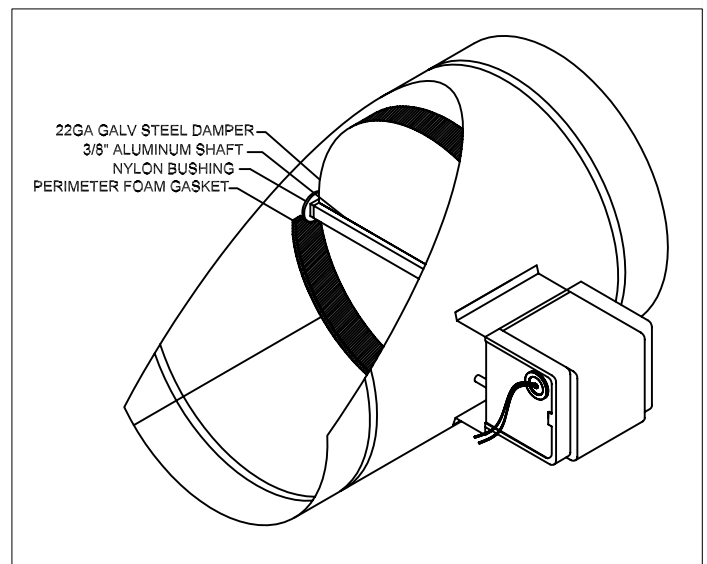
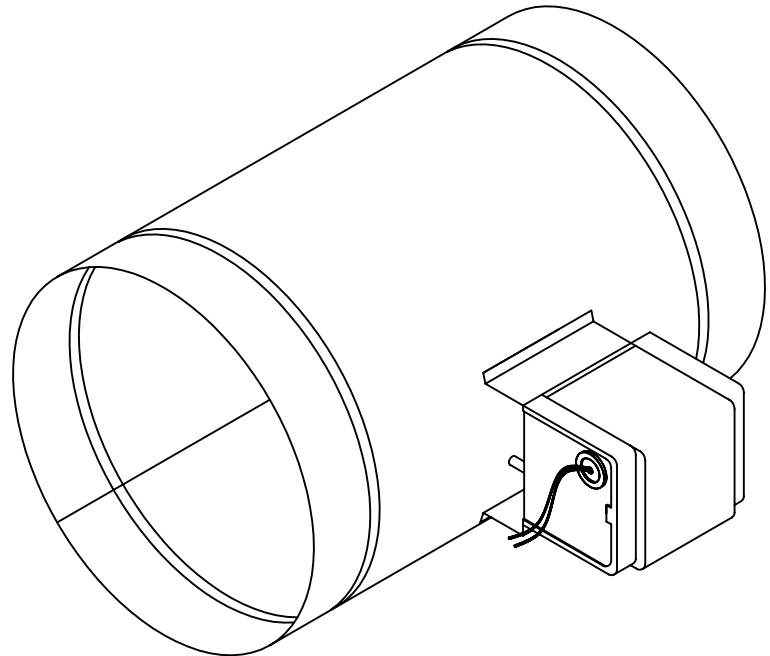
FEATURES

GALVANIZED STEEL PROVIDES EXCELLENT CORROSION RESISTANCE AND LONGEVITY.

3/8" ALUMINUM SHAFT AND 22GA DAMPER BLADE

PERIMETER FOAM GASKET TO REDUCE LEAKAGE WHEN DAMPER IS CLOSED

OPTIONS: CUSTOM SIZES AVAILABLE.



JOB NAME:
LOCATION:
ARCHITECT:
ENGINEER:
CONTRACTOR:
CONTACT MIAMI TECH INC. FOR ADDITIONAL INFORMATION OR WITH SPECIAL REQUIREMENTS.
5101 NW 36TH AVE MIAMI FL 33147 PHONE: 305-537-0053 FAX: 305-577-0064
WEB: WWW.GRILLETECHINC.COM EMAIL: SALES@GRILLETECHINC.COM

MZDRXX

**Motorized Zone Damper, Round
PRODUCT SPECIFICATIONS**

NOTE: ALL DRAWINGS SUBJECT TO CHANGE WITHOUT PRIOR NOTICE.