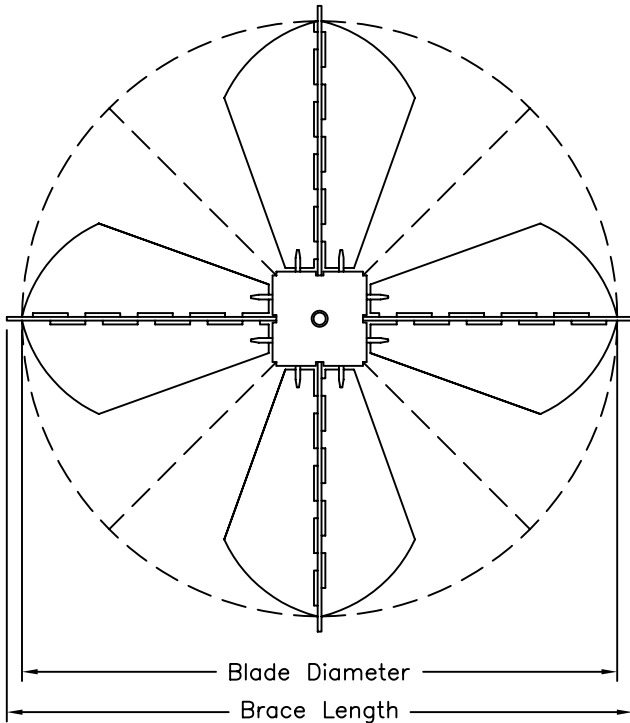
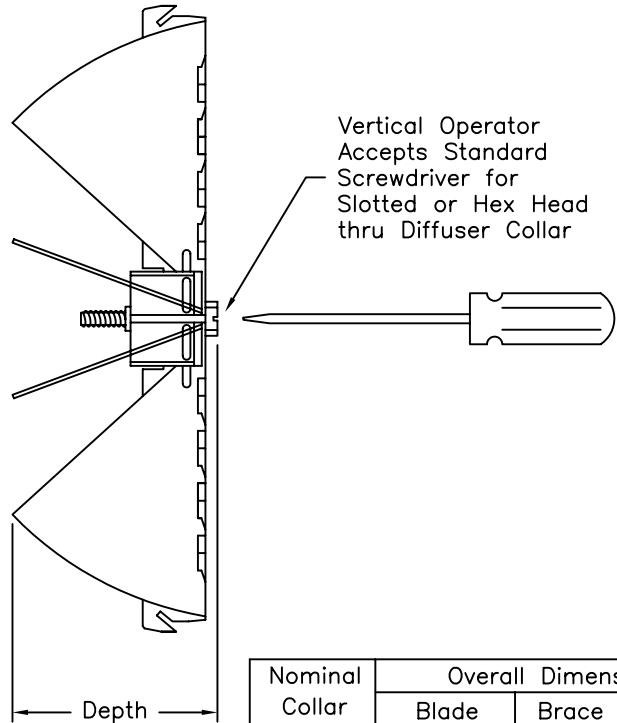


□ MODEL OBR



TOP VIEW



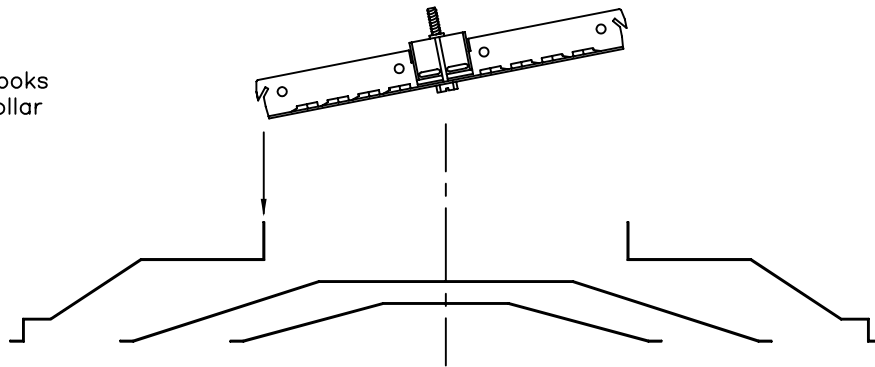
SIDE VIEW

Nominal Collar Sizes	Overall Dimensions		
	Blade Diameter	Brace Length	Depth
6"	5-3/4"	6"	2-3/8"
8"	7-3/4"	8"	3-1/8"
10"	9-3/4"	10"	3-3/4"
12"	11-3/4"	12"	4-1/2"
14"	13-3/4"	14"	5-1/4"

- Material is all steel construction on volume control damper.
- Available in 6", 8", 10", 12" and 14" diameter.
- Finish is mill finish.

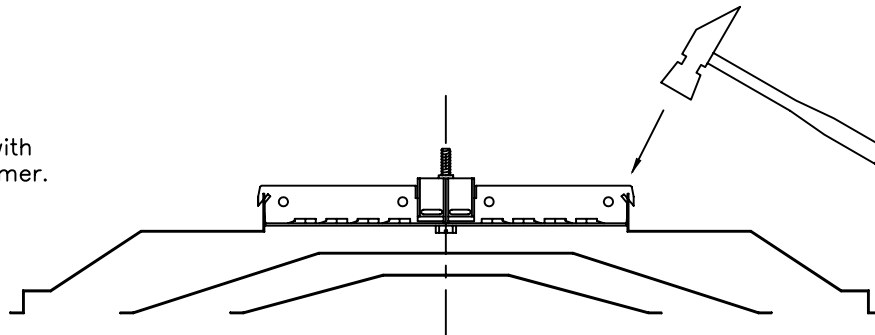
STEP 1

Align one of the hooks with the diffuser collar and push in it.



STEP 2

Snap-in the rest with a light weight hammer.



NOTE: ALL DRAWINGS SUBJECT TO CHANGE WITHOUT PRIOR NOTICE.

TITLE: MODEL OBR
OPPOSED BLADE TYPE (RADIAL)
VOLUME CONTROL DAMPER



DRN BY: CV	DATE: 1/27/00	SCALE: NTS	DRAWING NO. SD201-J
CKD BY: DJL	DATE: 2/15/00	REV: A0	