

STANDARD CONSTRUCTION

FRAME:
6063T5 EXTRUDED ALUMINUM
NOMINAL WALL THICKNESS OF 0.081"
UNIVERSAL C-CHANNEL FRAME

BLADES:
6063T5 EXTRUDED ALUMINUM
NOMINAL WALL THICKNESS OF 0.081"
SPACED AT APPROX. 6" CENTERS

BEARINGS:
PERMANENTLY LUBRICATED OILITE BRONZE, PRESS
FIT INTO FRAME

OPERATOR SHAFT:
1/2" DIAMETER PLATED STEEL SHAFT EXTENDS
3" OR 6" PAST FRAME.

FINISH:
MILL ALUMINUM

MINIMUM SIZE:
12" W X 12" H

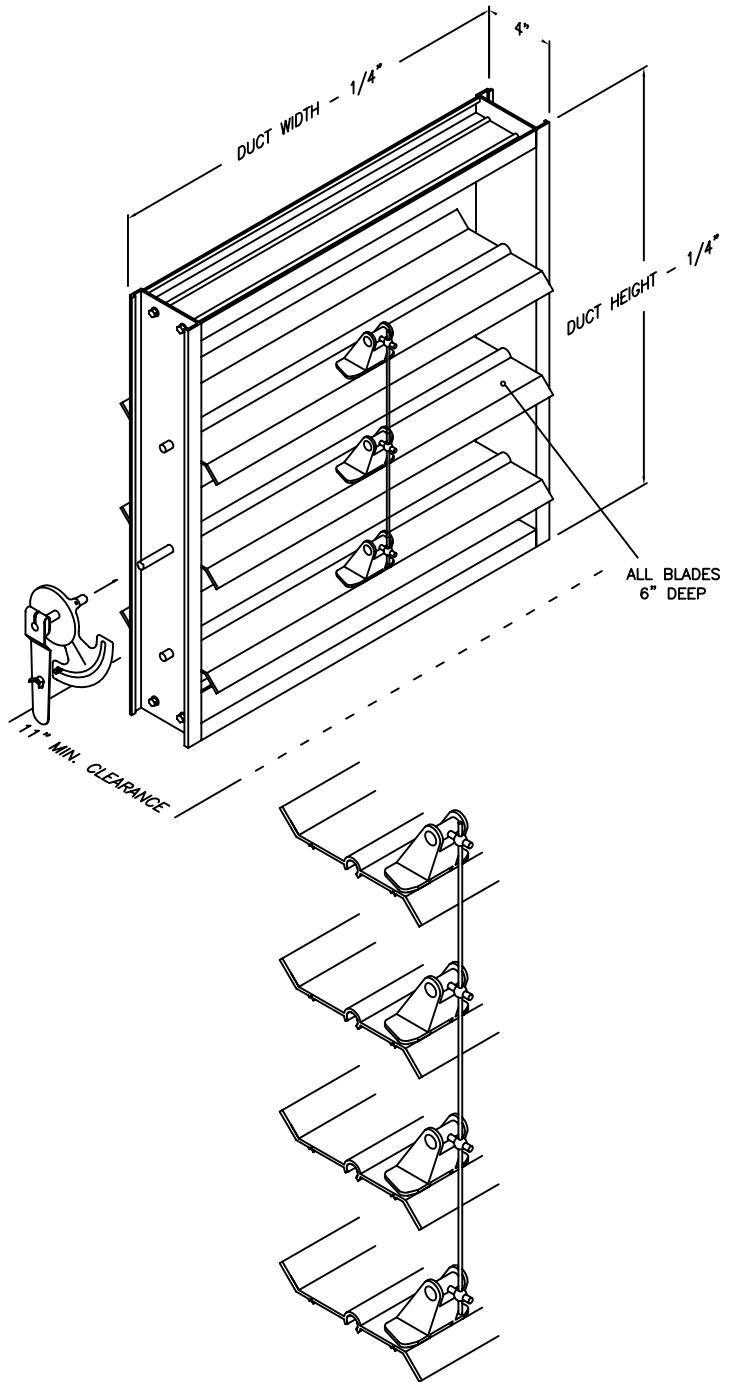
MAXIMUM DAMPER SIZE:
SINGLE: 48" W X 60" H
MULTIPLE HORIZONTAL: 96" W X 60" H
MULTIPLE VERTICAL: 48" W X 120" H

OPTIONS:
MOTOR MOUNTING (FACTORY FURNISHED OR BY OTHERS)
1/2" DIAMETER OPERATOR (EXTENDS 6" BEYOND FRAME)

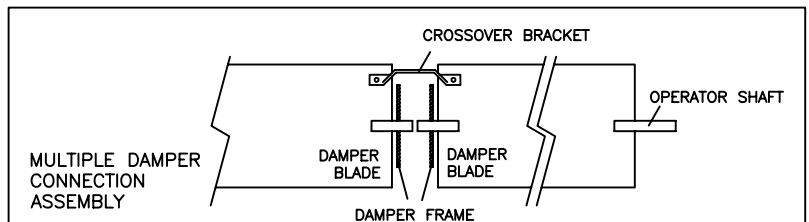
FEATURES

HEAVY EXTRUDED ALUMINUM PROVIDES SUPERIOR
DURABILITY AND RESISTS CORROSION.

SOLID HARDWARE ALLOWS SMOOTH OPERATION.



JOB NAME:
LOCATION:
ARCHITECT:
ENGINEER:
CONTRACTOR:
CONTACT GRILLE TECH INC. FOR ADDITIONAL INFORMATION OR WITH SPECIAL REQUIREMENTS. 5101 NW 36TH AVE MIAMI, FL 33142 PHONE: 305-537-0053 FAX: 305-577-0064 WEB: WWW.GRILLETECHINC.COM EMAIL: SALES@GRILLETECHINC.COM


PBD

 PARALLEL BLADE DAMPER
PRODUCT SPECIFICATIONS