



**Perforated Ceiling Diffusers
Steel . Fire Rated . Lay in Face**

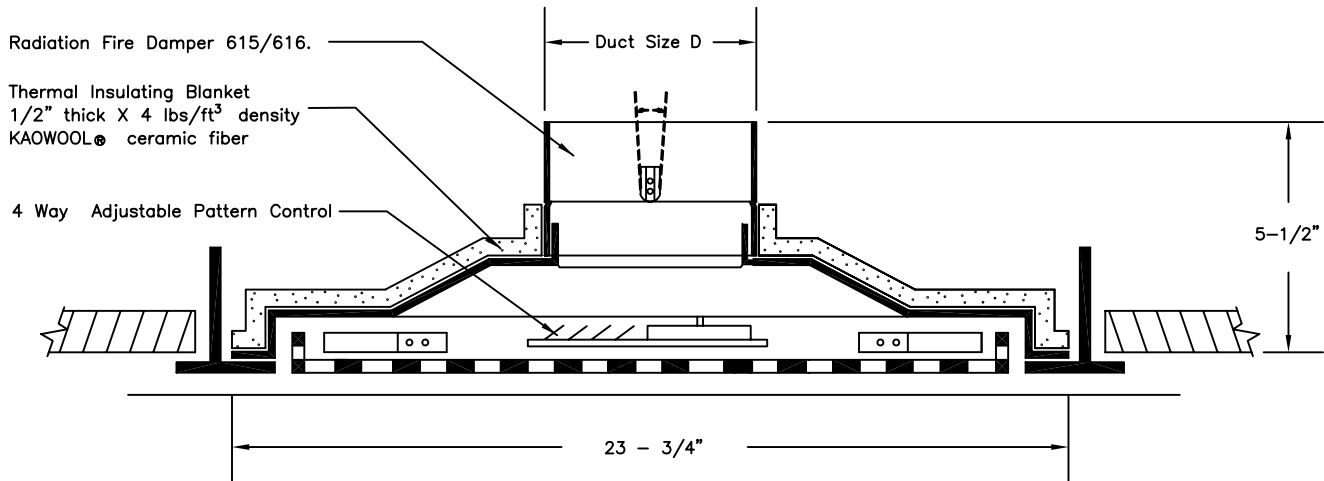


UNDERWRITERS LABORATORIES INC.
CLASSIFIED
CEILING AIR DIFFUSERS
TESTED IN ACCORDANCE WITH UL 263

Model PBZZU . Supply . 1, 2, 3 or 4 Way Adjustable Discharge Pattern

Model PRBZZU . Return Diffuser (Adjustable Patterns Deflectors not Available over Return Models)

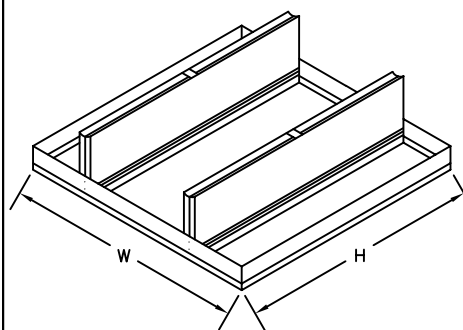
Model SCFBZZU . Square cone, Round neck diffuser, 360 pattern



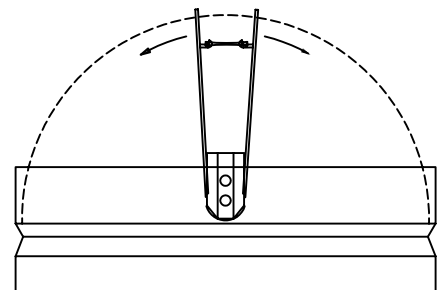
Face or Ceiling Module Size	Duct Size D						
	6" Dia.	8" Dia.	10" Dia.	12" Dia.	14" Dia.	20 x 20	22 x 22
24 x 24	X	X	X	X	X	X	X

SUPPLY / RETURN

Duct Size D
6" Dia./ 6" Dia.
8" Dia./ 8" Dia.
10" Dia./ 10" Dia.
12" Dia./ 12" Dia.
14" Dia./ 14" Dia.
N/A / 20 X 20
N/A / 22 X 22



UL Listed Radiation Fire Damper Model # 615.



UL Listed Radiation Fire Damper Model # 616.

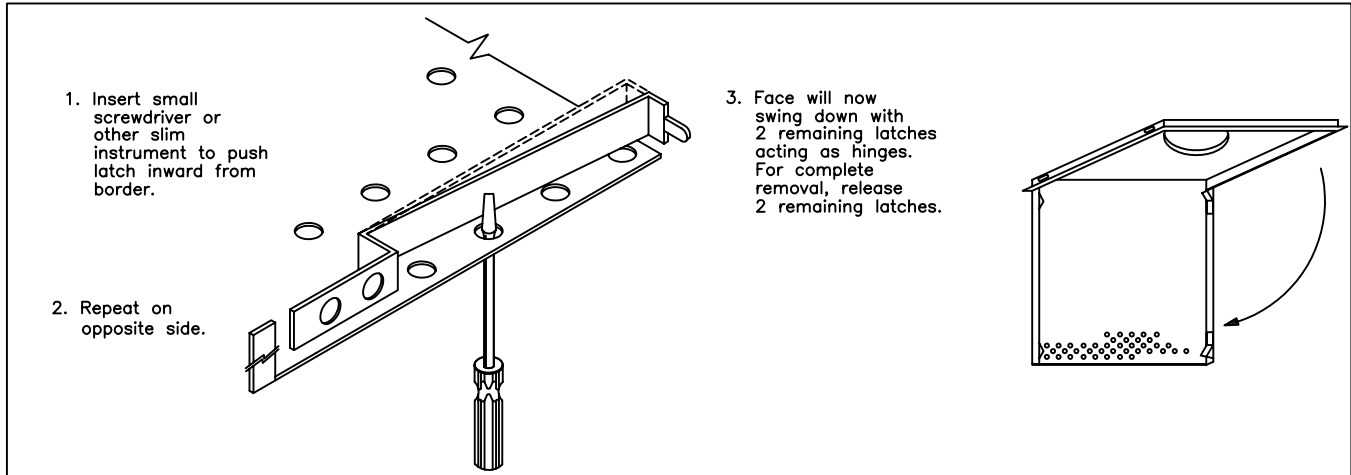
Accessories (Optional)

Fusible Link: UL Listed 165° F Standard or 212° F (Optional).

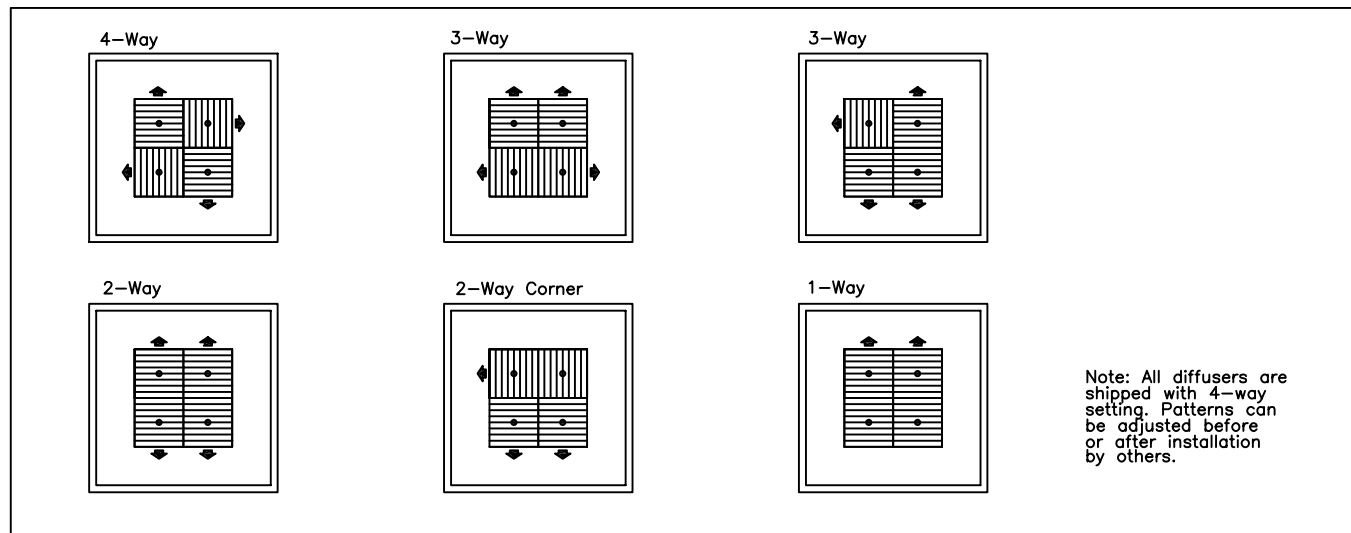


Model PBZZU . Supply . 1, 2, 3 or 4 Way Adjustable Discharge Pattern
Model PRBZZU . Return Diffuser
Model SCFBZZU . Square cone, Round neck diffuser, 360 pattern

Removing Perforated Face



Adjusting Pattern Controllers



Standard Finish: Sky – White, Dupont 100% Polyester Powder Coating Paint.

General Description

. PBZZU is a UL Classified Fire Rated Ceiling Diffuser Assembly listed in The Underwriters Laboratories "Fire Resistance Directory."

. The Ceiling Diffuser Assembly has a fire resistance rating of 3 hours or less when installed in accordance with the installation instructions.

. This flush face perforated ceiling diffuser is designed to provide a uniform circular pattern.

. Excellent performance in variable air volume systems, also our model PDL high induction perforated face supply diffuser is available.

. Tight, uniform horizontal blanket of air protects the ceiling against smudging.

. Discharge pattern can be adjusted to vertical as well as to 1, 2, 3 or 4-way horizontal. Can be adjusted before or after installation.

. Discharge pattern is easily adjusted by dropping the perforated face (above) and rotating pattern controllers.

. Perforated face has 3/16" diameter holes on 1/4" staggered centers.

. Material is 24 gauge steel.

File No. BZZU.R12178



UNDERWRITERS LABORATORIES INC.
CLASSIFIED
CEILING AIR DIFFUSERS
TESTED IN ACCORDANCE WITH UL 263