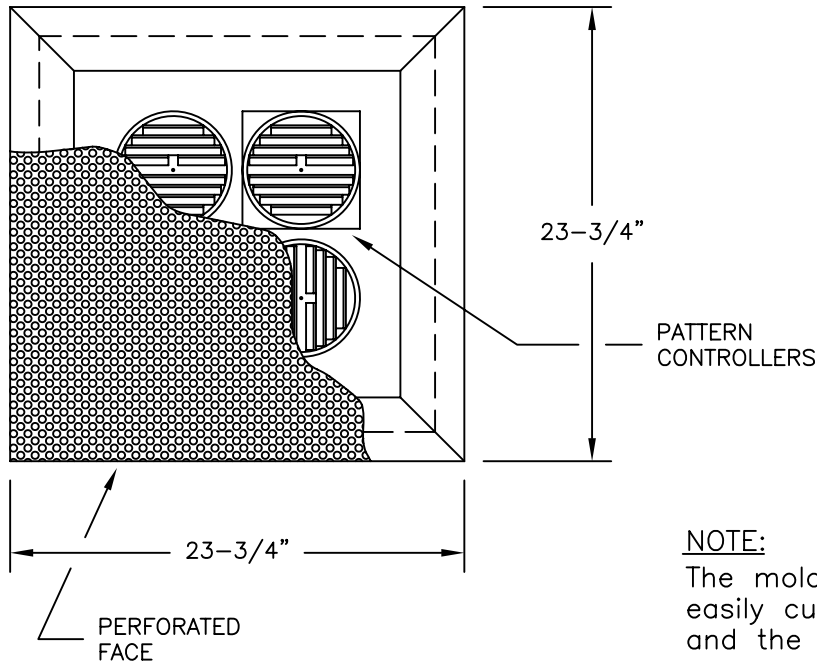
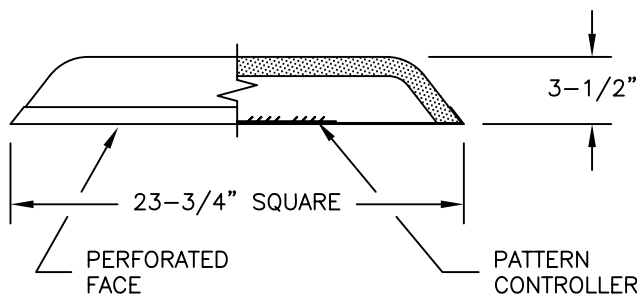


CONSTRUCTION:

- Complete molded R6 insulated back
- Perforated face - 3/16" diameter holes on 1/4" staggered centers
- Adjustable pattern controller - 6" diameter louvered plates. Each plate may be individually adjusted to create desired air flow pattern. Plates are painted flat black and are removable for return air use

FEATURES:

- Superior sound absorption
- Light weight - Easily suspended
- Superior air flow pattern
 - No downdrafts
- Condensation free operation
- Electro-static baked enamel finish



NOTE:

The molded back is easily cut with a pocket knife and the center connection provides a very uniform, widely dispersed, air flow without downdrafts.

NOTE: ALL DRAWINGS SUBJECT TO CHANGE WITHOUT PRIOR NOTICE.

TITLE:

MODEL PDBA ADJUSTABLE
PERFORATED FACE, MOLDED BACK
CEILING DIFFUSER



DRN BY: CV	DATE: 4/13/00	SCALE: NTS	DRAWING NO. PD301-B
CKD BY: DJL	DATE: 4/13/00	REV: AO	