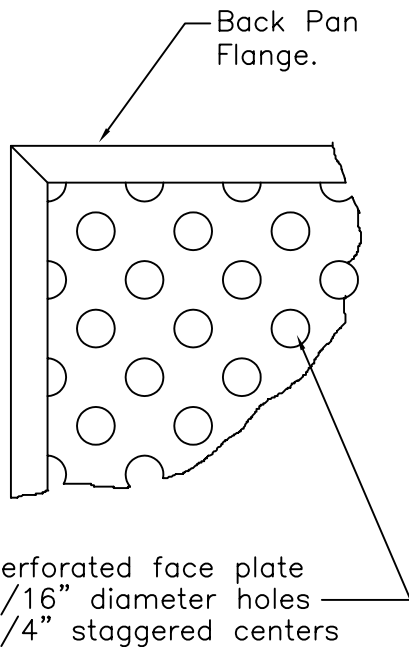


AIR FLOW PATTERNS				
360°	3 WAY	2 WAY	CORNER	1 WAY



CONSTRUCTION NOTES:

1. Material: Pan is 24 gauge sheet metal. Air pattern controllers are steel. Face plate is perforated steel with 3/16" diameter holes on 1/4" staggered centers. Aluminum face plate optional.
2. Finish: White.
3. Inlet Collar (Neck): Available in 6", 8", 10", 12", and 14". All inlet collars are round.
4. Damper: Butterfly dampers secured in inlet collar when specified. Maximum size is 14".

WITH DAMPER

TITLE:

MODEL PDL OR PDLN
 "T" BAR LAY-IN HIGH INDUCTION
 VAV DIFFUSER, ROUND NECK



DRN BY: CV	DATE: 5/07/01	SCALE: -	DRAWING NO.
CKD BY: IG	DATE: 9/20/09	REV: C	PDL