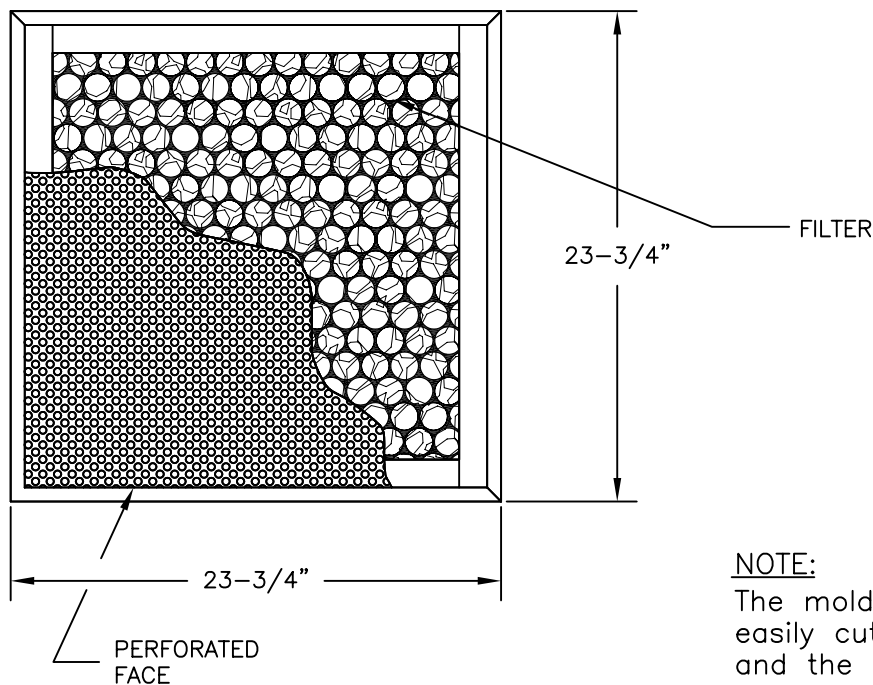
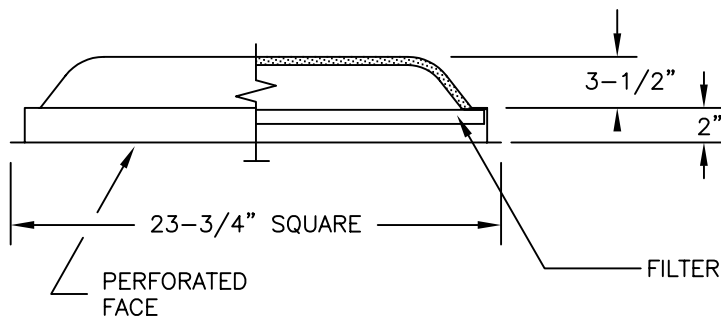


**CONSTRUCTION:**

- Complete molded R6 insulated back
- Perforated face - 3/16" diameter holes on 1/4" staggered centers
- Perimeter frame 22 gauge steel.

**FEATURES:**

- Superior sound absorption
- Light weight - Easily suspended
- Horizontal air flow pattern
- Condensation free operation
- Electro-static baked enamel finish
- Removable face.



**NOTE:**

The molded back is easily cut with a pocket knife and the center connection provides a very uniform, widely dispersed, air flow without downdrafts.

NOTE: ALL DRAWINGS SUBJECT TO CHANGE WITHOUT PRIOR NOTICE.

TITLE: MODEL PRF  
PERFORATED FACE CEILING RETURN  
W/FILTER AND MOLDED BACK



DRN BY: CV	DATE: 07/20/04	SCALE: NTS	DRAWING NO.
CKD BY: IG	DATE: 7/20/04	REV: IG	PD401-A