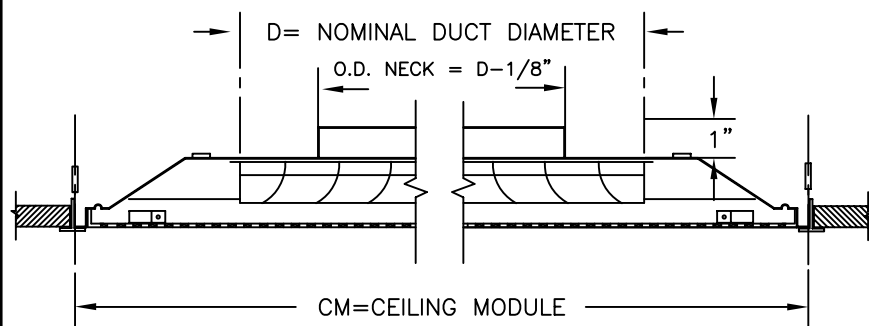


BASIC DIFFUSER INFORMATION:



MATERIAL:

- BACKPAN: STEEL
- FACE: PERFORATED (3/16" HOLES, 1/4" O.C.) METAL, STEEL OR ALUMINUM DEPENDING ON MODEL CHOSEN.
- DAMPER (OPTIONAL): STEEL

FINISH:

- BACKPAN: BLACK
- FACE: WHITE

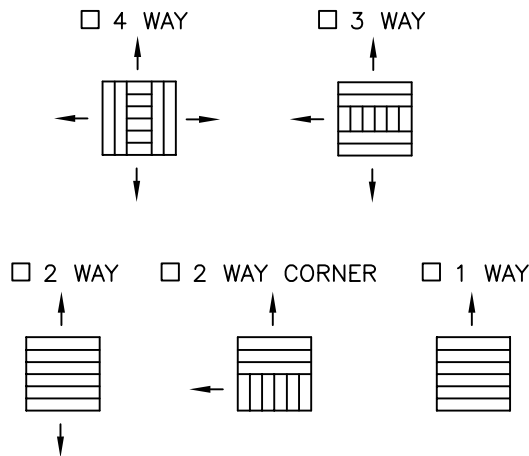
NOTES:

- INSTALLED DIFFUSER FACE IS REMOVABLE BY REPOSITIONING OF TENSION SPRINGS
- DIFFUSER AIRFLOW PATTERN IS SET © FACTORY ACCORDING TO OPTIONS AT RIGHT

BASIC MODEL:

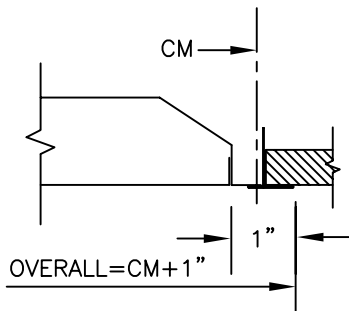
- PSC: DIFFUSER ONLY, STEEL FACE
- PSCN: DIFFUSER ONLY, ALUMINUM FACE

AIRFLOW PATTERN:

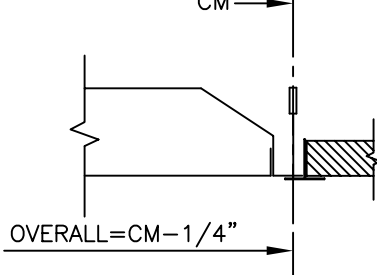


BORDERS:

- 1 SURFACE MOUNT



- 6 T-BAR



AVAILABLE SIZES:

CEILING MODULE (CM)	D SQUARE DUCT					D ROUND DUCT				
	6X6"	8X8"	10X10"	12X12"	14X14" (356X356)	6"	8"	10"	12"	14"
24X24"	●	●	●	●	●	●	●	●	●	●

TITLE:

PSC SERIES
PERFORATED FACE
SUPPLY DIFFUSER



DRN BY: AV	DATE: 8/6/08	SCALE:	DRAWING NO. PD101-A
CKD BY: JAA	DATE: 2/15/00	REV: C	