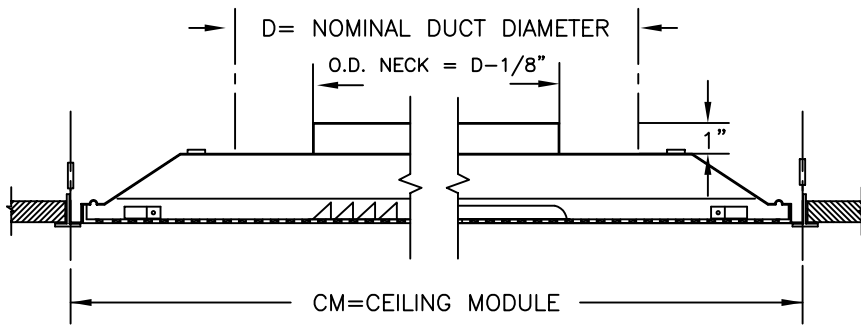


BASIC DIFFUSER INFORMATION:

BASIC MODEL:

- PSF: (DIFFUSER ONLY, STEEL FACE)
- PSFN: (DIFFUSER ONLY, ALUMINUM FACE)



MATERIAL:

- BACKPAN: STEEL
- FACE: PERFORATED (3/16" HOLES, 1/4" O.C.)
 - STEEL ALUMINUM
- DAMPER (OPTIONAL): STEEL

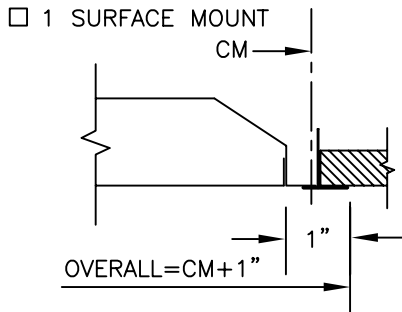
NOTES:

- INSTALLED DIFFUSER FACE IS REMOVABLE BY REPOSITIONING OF TENSION SPRINGS
- PATTERN CONTROLLERS ARE ADJUSTABLE FOR 1,2,3 OR 4 WAY PATTERN. FACTORY SETTINGS ARE 4 WAY

FINISH:

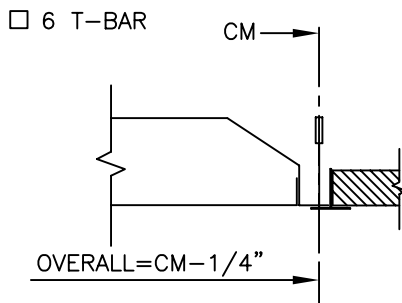
- WHITE

BORDERS:



AVAILABLE SIZES:

CEILING MODULE (CM)	D SQUARE DUCT					D ROUND DUCT				
	6X6"	8X8"	10X10"	12X12"	14X14" (356X356)	6"	8"	10"	12"	14"
24X24"	●	●	●	●	●	●	●	●	●	●



TITLE:

MODEL PSF
PERFORATED FACE SUPPLY DIFFUSERS



DRN BY: CV	DATE: 11/11/99	SCALE: NTS	DRAWING NO. PD102-A
CKD BY: IG	DATE: 8/6/08	REV: C	