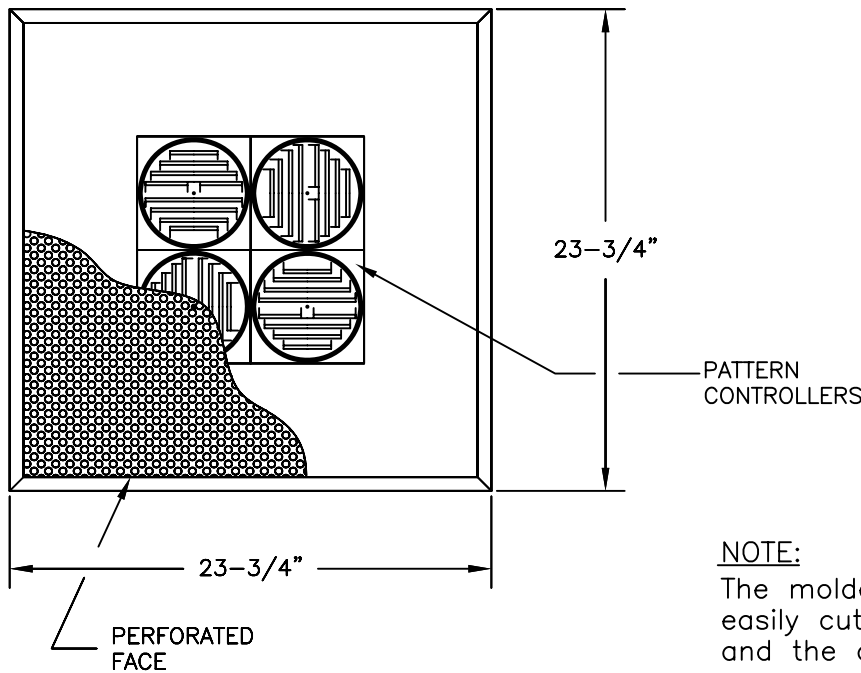
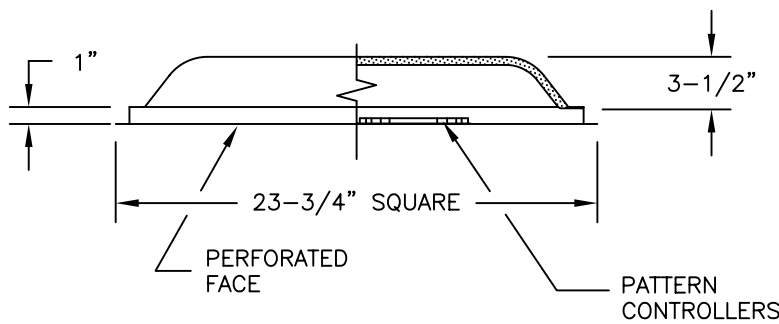


CONSTRUCTION:

- Complete molded R6 insulated back
- Perforated face - 3/16" diameter holes on 1/4" staggered centers
- Perimeter frame 22 gauge steel.
- Adjustable pattern controller
6" diameter louvered plates. Each plate may be individually adjusted to create desired air flow pattern. Plates are painted flat black and are removable for return air use.

FEATURES:

- Superior sound absorption
- Light weight - Easily suspended
- Superior air flow pattern
 - No downdrafts
- Condensation free operation
- Electro-static baked enamel finish
- Removable face.



NOTE:

The molded back is easily cut with a pocket knife and the center connection provides a very uniform, widely dispersed, air flow without downdrafts.

NOTE: ALL DRAWINGS SUBJECT TO CHANGE WITHOUT PRIOR NOTICE.

TITLE:
 MODEL PSR ADJUSTABLE
 REMOVABLE PERFORATED FACE
 MOLDED BACK, CEILING DIFFUSER



DRN BY: CV	DATE: 07/20/04	SCALE: NTS	DRAWING NO. PD401-B
CKD BY: IG	DATE: 7/20/04	REV: IG	