

STANDARD CONSTRUCTION

FRAME:
6063T5 EXTRUDED ALUMINUM
NOMINAL WALL THICKNESS OF 0.050"
UNIVERSAL 1.25" FLANGE

BLADES:
3003H4 ALUMINUM COIL
NOMINAL WALL THICKNESS OF 0.032"
APPROX. 5/8" CENTER TO CENTER
0 DEGREE DEFLECTION

STANDARD VENT SIZES:
6" X 6" MINIMUM
48" X 48" MAXIMUM

FINISH:
POLYESTER SKY WHITE POWDER COAT (STANDARD)
MILL ALUMINUM (OPTIONAL)

DUPONT 100% POLYESTER POWDER COATING GIVES AN ATTRACTIVE BRIGHT WHITE FINISH AND PROVIDES ADDITIONAL PROTECTION FROM AGING AND WEAR.

OPTIONS:
OPPOSED BLADE DAMPER (OBD)
INSECT SCREEN (NOT RECOMMENDED WITH DAMPER)

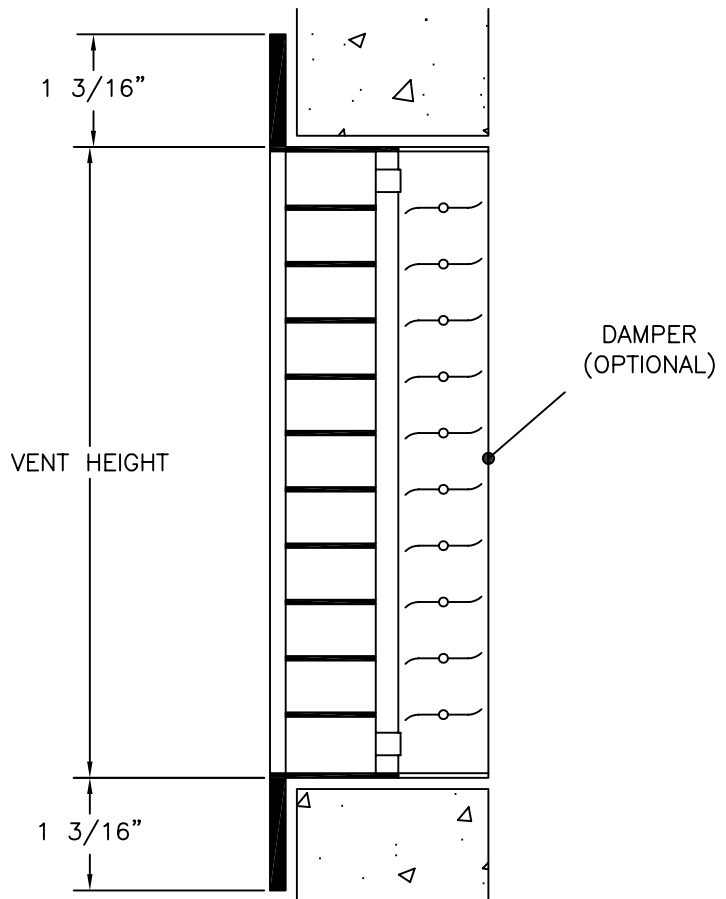
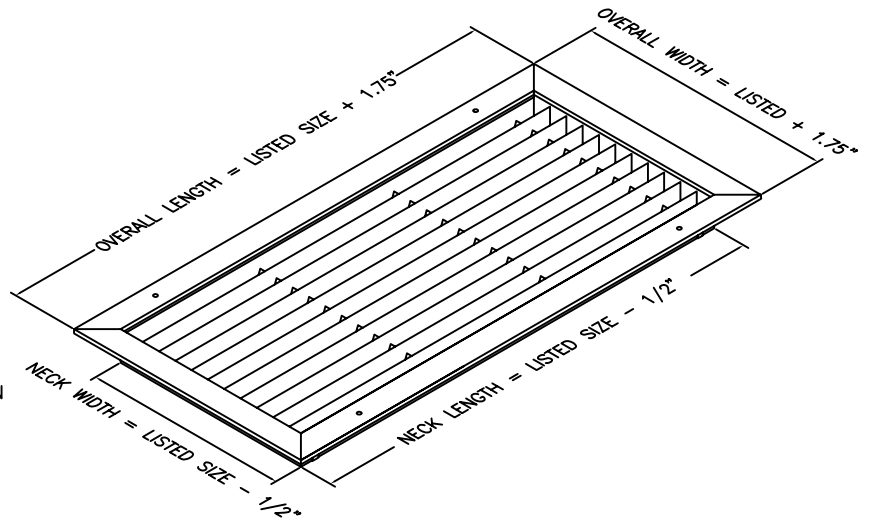
FEATURES

EXTRUDED ALUMINUM PROVIDES SUPERIOR DURABILITY AND RESISTS CORROSION.

CORNER CLIPS IN THE FRAME ENSURE HAIRLINE MITERED CORNERS.

SLIM BLADE DESIGN OFFER MAXIMUM AIRFLOW THROUGH GRILLE WITH MINIMAL CFM LOSS.

FLANGED FACE CREATES A GOOD GRILLE-TO-WALL FINISH.



JOB NAME:
LOCATION:
ARCHITECT:
ENGINEER:
CONTRACTOR:
CONTACT GRILLE TECH INC. FOR ADDITIONAL INFORMATION OR WITH SPECIAL REQUIREMENTS.
5101 NW 36TH AVE MIAMI, FL 33142 PHONE: 305-537-0053 FAX: 305-577-0064 WEB: WWW.GRILLETECHINC.COM EMAIL: SALES@GRILLETECHINC.COM

RA0 / RA0-OB

0 DEGREE DEFLECTION ALUMINUM RETURN
PRODUCT SPECIFICATIONS

NOTE: ALL DRAWINGS SUBJECT TO CHANGE WITHOUT PRIOR NOTICE.

DRAWN BY: AF	DATE: 08/02/07	SCALE: NOT TO SCALE	DRAWING NO. RA001
CHECKED BY: IG	DATE: 08/10/2010	REVISION: C	