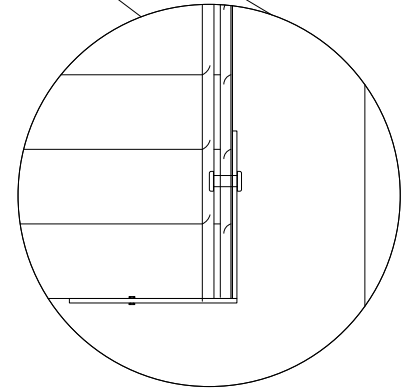
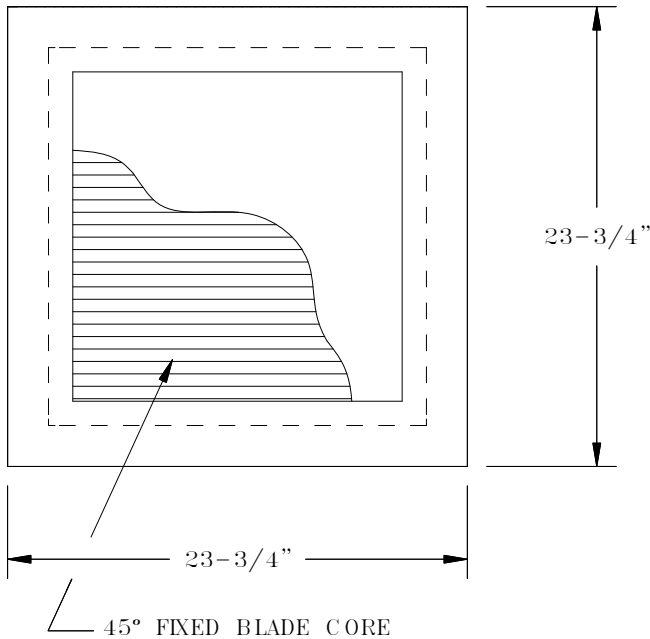
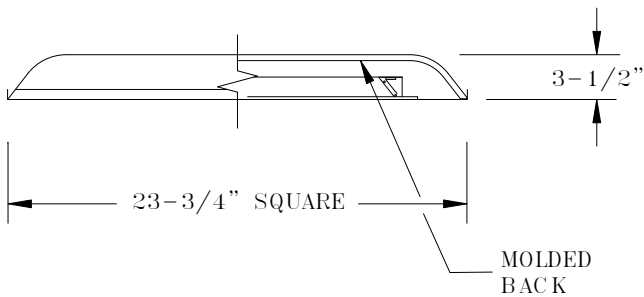


**CONSTRUCTION:**

- Complete molded R6 insulated back
- Aluminum return air register.
- Mounted on 23-3/4" X23-3/4" aluminum panel.

**FEATURES:**

- Superior sound absorption
- Light weight - Easily suspended
- Condensation free operation
- Sky-White, Dupont 100% Polyester Powder Coating Paint.
- 45° Fixed blade core for sightproof appearance.
- Surface mount, tee-bar lay-in, and tee-bar panel frames.



**NOTE:**

The molded back is easily cut with a pocket knife and the center connection provides a very uniform, widely dispersed air flow.

Face or Ceiling Module Size	Sizes Available					
	6 x 6	9 x 9	12 x 12	15 x 15	18 x 18	21 x 21
24 x 24	X	X	X	X	X	X

NOTE: ALL DRAWINGS SUBJECT TO CHANGE WITHOUT PRIOR NOTICE.

TITLE:

MODEL RA6AU

ALUMINUM PANEL RETURN



GRILLE TECH INC.

DRN BY: JR	DATE: 08/06/05	SCALE: NTS	DRAWING NO.  RA6AU
CKD BY: IG	DATE: 08/06/05	REV: IG	