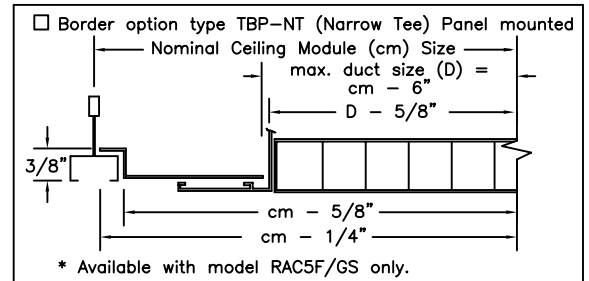
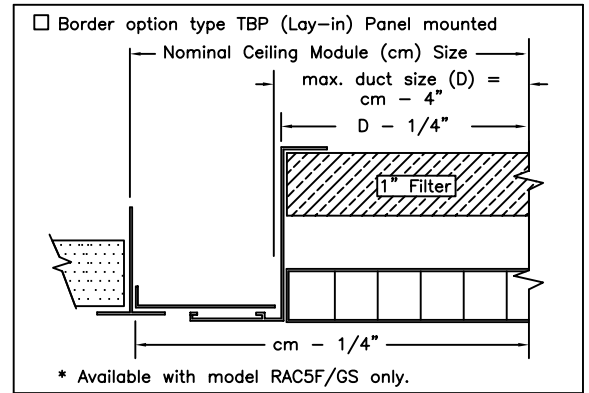
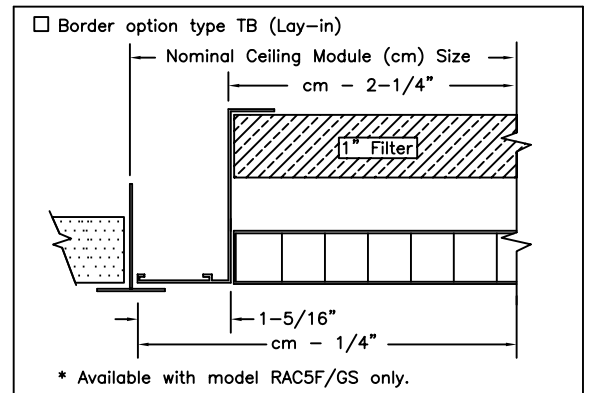
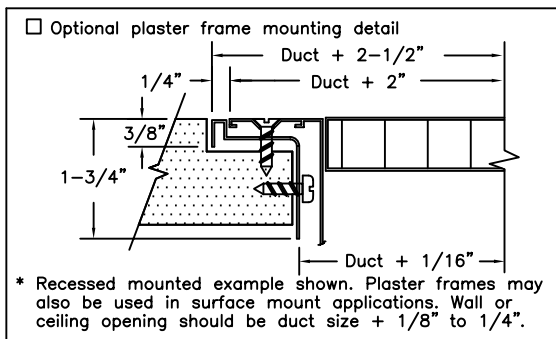
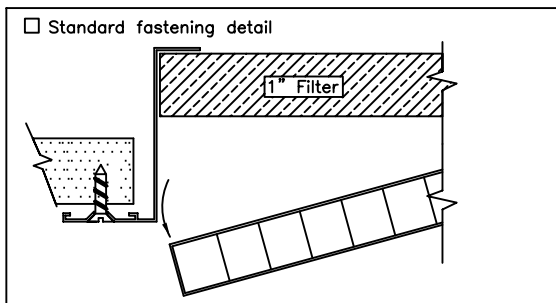
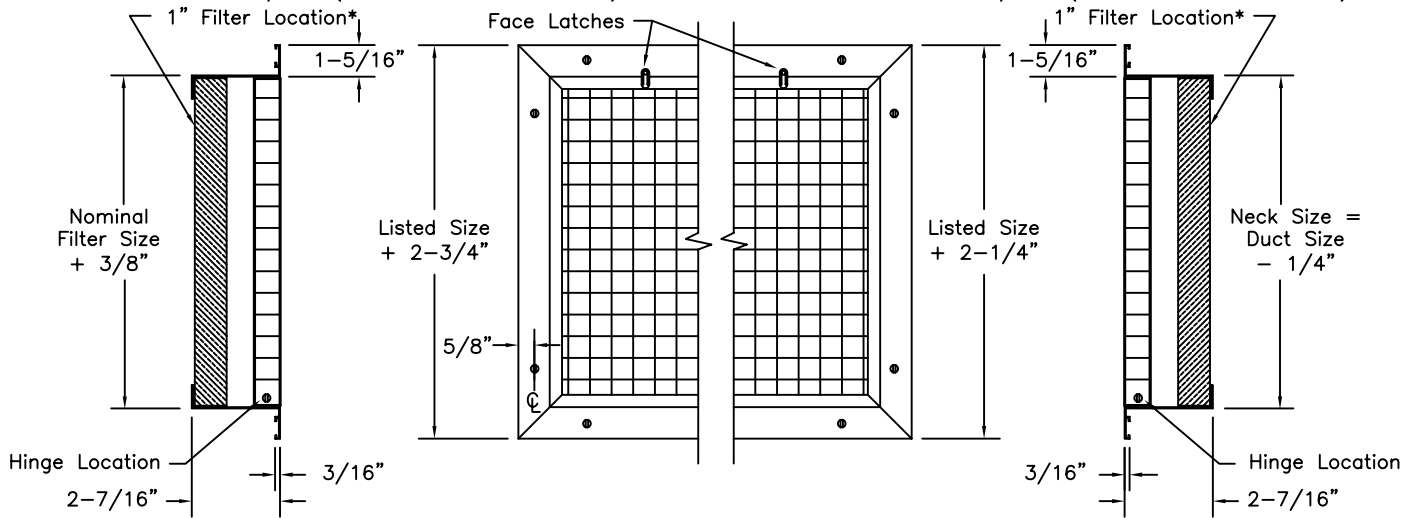


MODEL RAC5F/FS (For Nom. Filter Size)

MODEL RAC5F/GS (For Nom. Duct Size)



**CONSTRUCTION NOTES:**

- **Frame:** Heavy rollformed aluminum or thick extruded aluminum for units with either width or height 18 inches or larger. Frame is assembled using corner clips to assure hairline mitered corners and is designed to accommodate 1" thick disposable filters by others or 1" thick washable filter medium provided at the factory.
- **Core:** Fabricated aluminum of 1/2"x 1/2"x 1/2" cube.
- **Finish:** Powder coat baked enamel in the following colors;
  - White.
  - Special (specify \_\_\_\_\_)
- **Sizes:** 4" x 6" minimum, 24" x 48" maximum.
- **Optional Accessories:**
  - 1" Thick washable filter medium.

**NOTE:** ALL DRAWINGS SUBJECT TO CHANGE WITHOUT PRIOR NOTICE.

TITLE:

ALUMINUM RETURN FILTER CUBE CORE  
MODEL RAC5F



DRN BY: CV	DATE: 10/08/99	SCALE: NTS	DRAWING NO. RF201-A
CKD BY: DJL	DATE: 2/15/00	REV: AO	