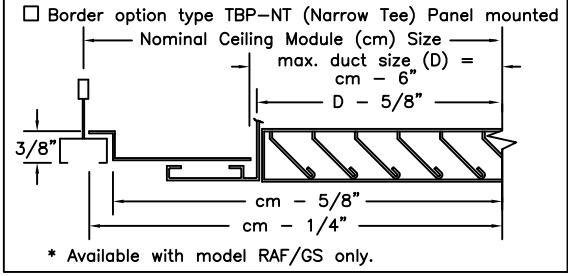
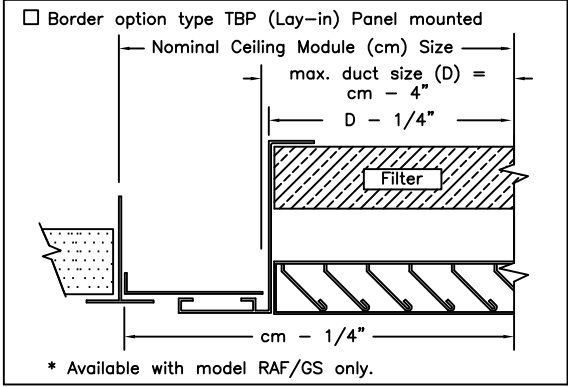
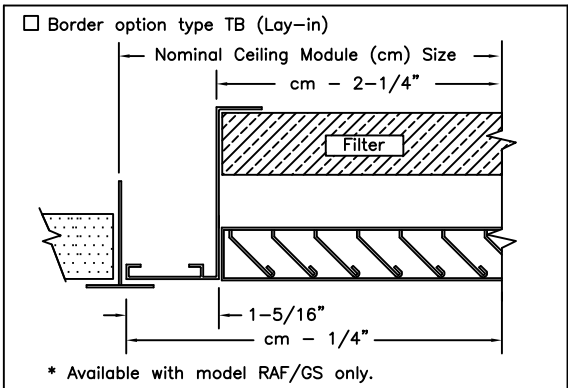
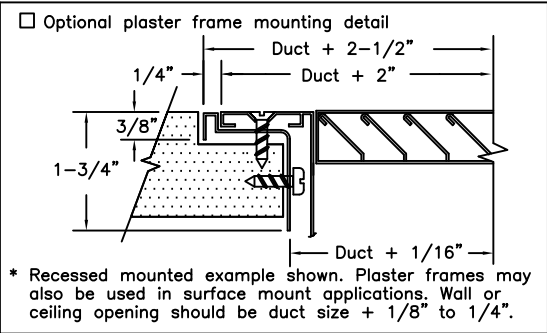
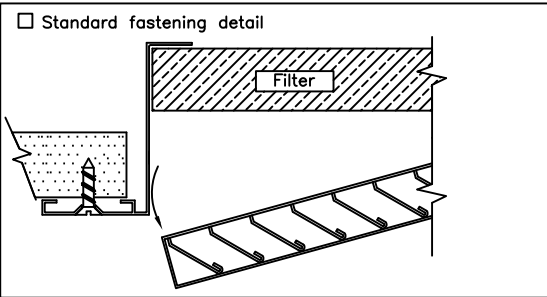
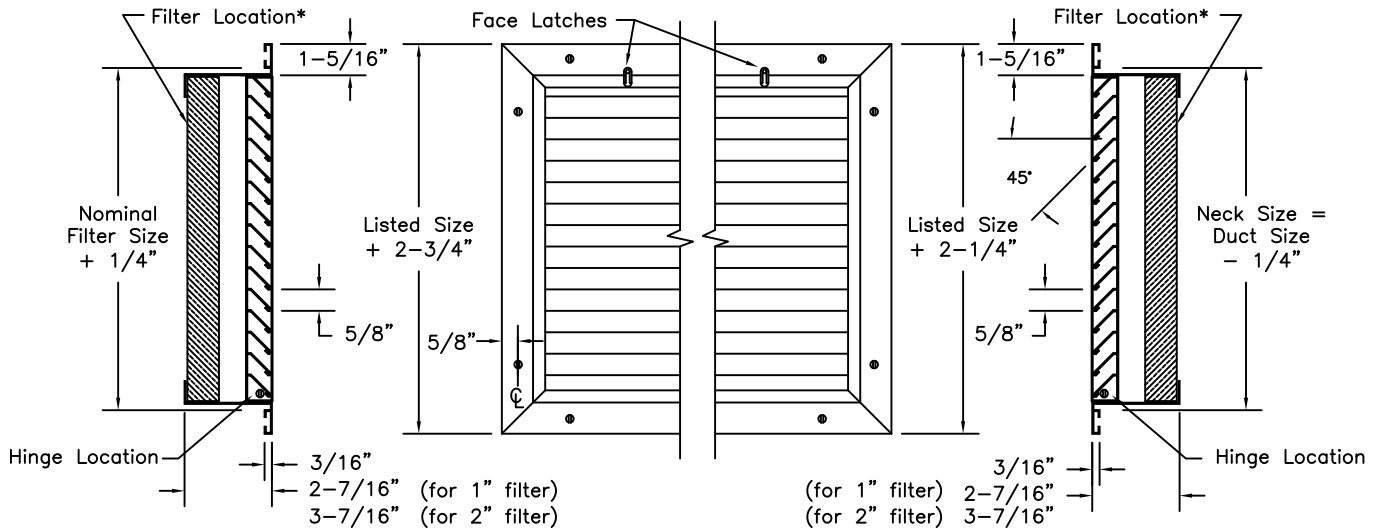


MODEL RAF/FS (For Nom. Filter Size)

MODEL RAF/GS (For Nom. Duct Size)



CONSTRUCTION NOTES:

- **Frame:** Heavy rollformed aluminum or thick extruded aluminum for units with either width or height 18 inches or larger. Frame is assembled using corner clips to assure hairline mitered corners and is designed to accommodate 1" thick disposable filters by others or 1" thick washable filter medium provided at the factory.
- **Blades:** Heavy rollformed aluminum. Each blade is permanently fixed at 45° in all aluminum core frame.
- **Finish:** Powder coat baked enamel in the following colors;
 - White.
 - Special (specify _____)
- **Sizes:** 6" x 6" minimum, 48" x 48" maximum.
- **Optional Construction:**
 - Model RAFGS-2/RAFFS-2: 2" Thick Filter Depth (filter not included)

NOTE: ALL DRAWINGS SUBJECT TO CHANGE WITHOUT PRIOR NOTICE.

TITLE:

ALUMINUM RETURN FILTER
MODEL RAF



DRN BY: CV	DATE: 09/16/99	SCALE: NTS	DRAWING NO.:
CKD BY: AV	DATE: 12/6/11	REV: D	RAF