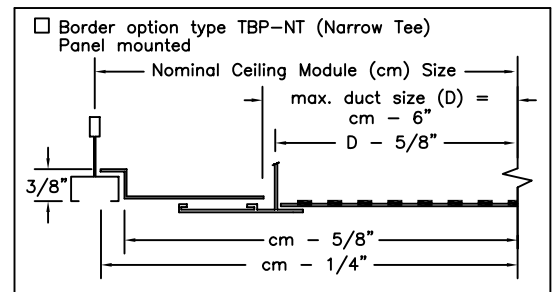
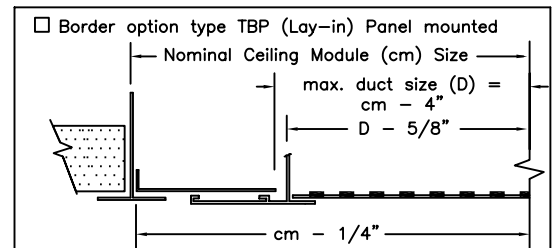
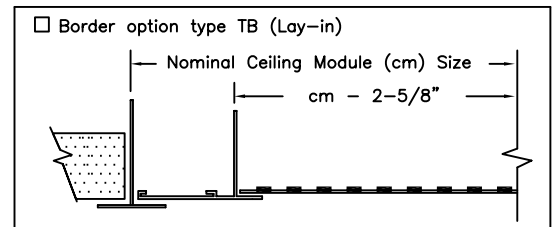
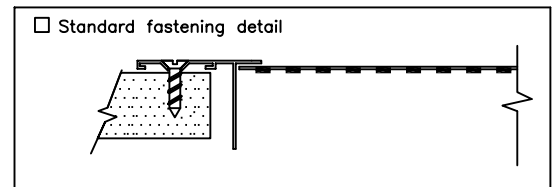
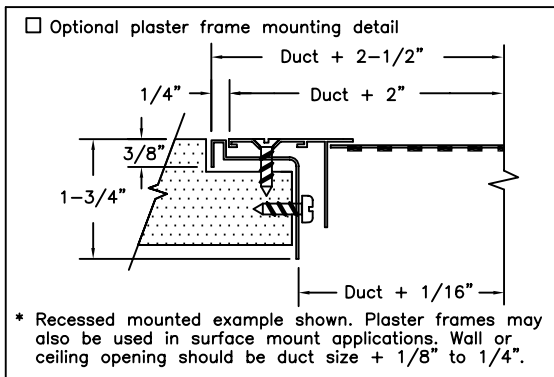
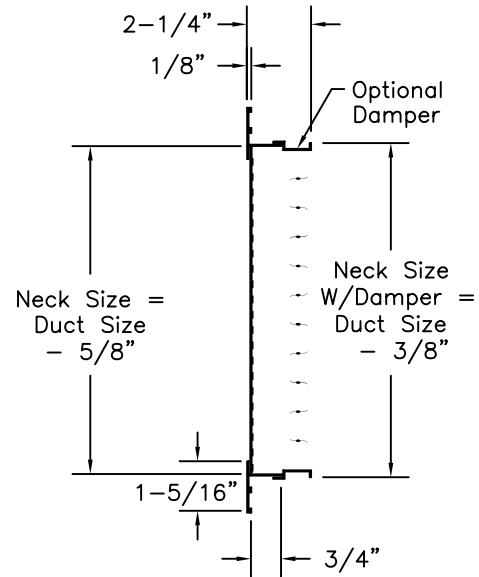
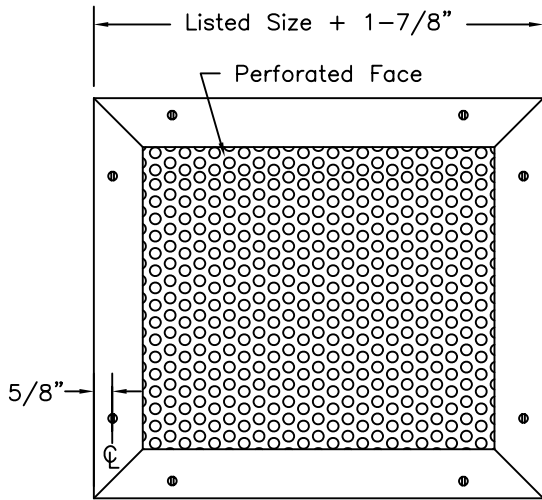


MODEL RAP



**CONSTRUCTION NOTES:**

- **Frame:** Heavy extruded aluminum. Frame is assembled using corner clips to assure hairline mitered corners.
- **Face:** 51% perforated face plate (3/16" holes, 1/4" staggered centers.)
- **Finish:** Powder coat baked enamel in the following colors;
  - White.
  - Satin aluminum.
- **Sizes:** 4" x 6" minimum, 24" x 24" maximum.
- **Optional Accessories:**
  - Damper:** Galvanized Steel Opposed Blade Damper.
  - Insect screen:** (not recommended with damper option).

NOTE: ALL DRAWINGS SUBJECT TO CHANGE WITHOUT PRIOR NOTICE.

TITLE:

PERFORATED RETURN  
MODEL RAP



DRN BY: CV	DATE: 09/16/99	SCALE: NTS	DRAWING NO.  RP101-A
CKD BY: DJL	DATE: 2/15/00	REV: A0	