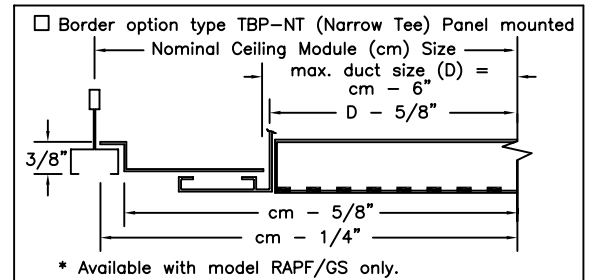
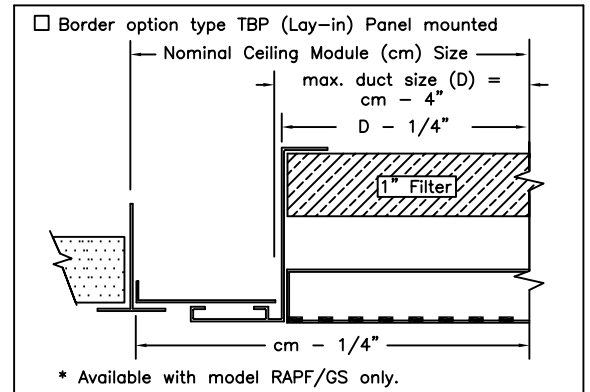
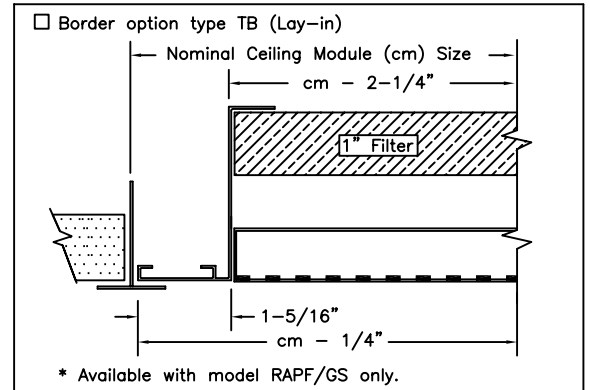
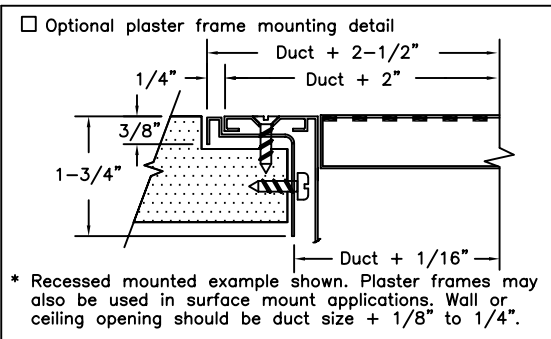
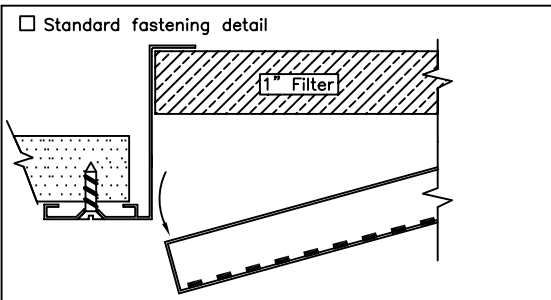
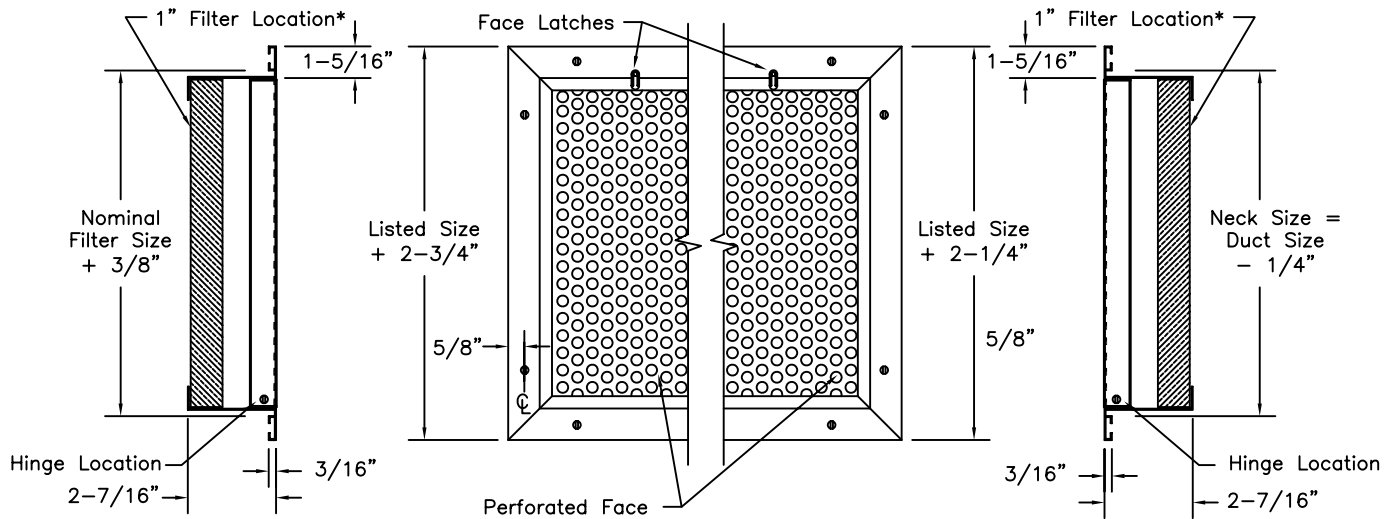


MODEL RAPF/FS (For Nom. Filter Size)

MODEL RAPF/GS (For Nom. Duct Size)



CONSTRUCTION NOTES:

- **Frame:** Heavy rollformed aluminum or thick extruded aluminum for units with either width or height 18 inches or larger. Frame is assembled using corner clips to assure hairline mitered corners and is designed to accommodate 1" thick disposable filters by others or 1" thick washable filter medium provided at the factory.
- **Face:** 51% perforated face plate (3/16" holes, 1/4" staggered centers.)
- **Finish:** Powder coat baked enamel in the following colors;
 - White.
 - Special (specify _____)
- **Sizes:** 4"x6" minimum, 24"x24" maximum.
- **Optional Accessories:**
 - 1" Thick washable filter medium.

NOTE: ALL DRAWINGS SUBJECT TO CHANGE WITHOUT PRIOR NOTICE.

TITLE:

PERFORATED RETURN FILTER
MODEL RAPF



DRN BY: AC	DATE: 9/29/99	SCALE: NTS	DRAWING NO. RP201-A
CKD BY: DJL	DATE: 2/15/00	REV: AO	