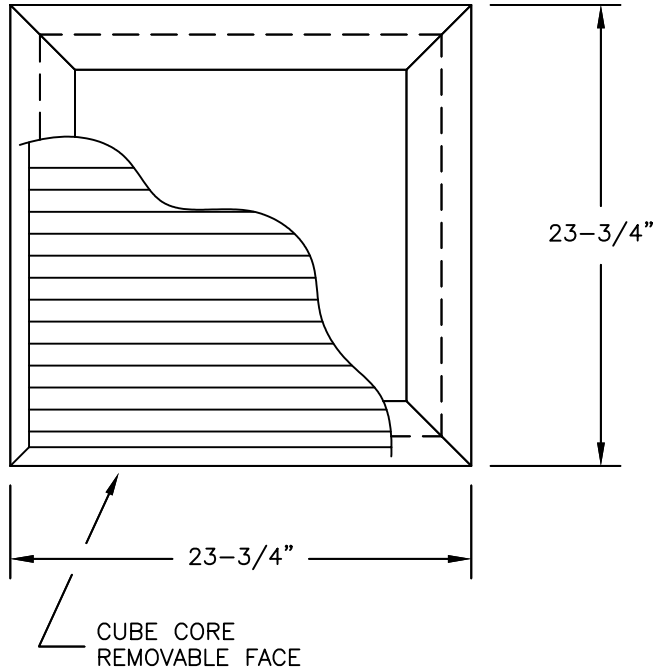
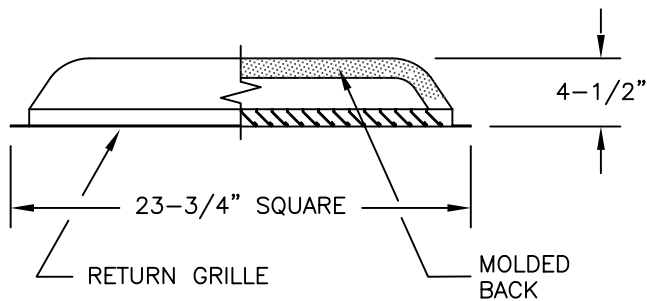


CONSTRUCTION:

- Complete molded R6 insulated back
- Return grille w/molded fiberglass plenum.

FEATURES:

- Superior sound absorption
- Light weight – Easily suspended
- Condensation free operation
- Sky-White, Dupont 100% Polyester Powder Coating Paint.



NOTE:

The molded back is easily cut with a pocket knife and the center connection provides a very uniform, widely dispersed air flow.

NOTE: ALL DRAWINGS SUBJECT TO CHANGE WITHOUT PRIOR NOTICE.

TITLE:

MODEL RATU  
MOLDED BACK RETURN GRILLE



**GRILLE TECH INC.**

DRN BY: AV	DATE: 9/10/08	SCALE: NTS	DRAWING NO.
CKD BY: IC	DATE: 08/06/05	REV: A	RATU