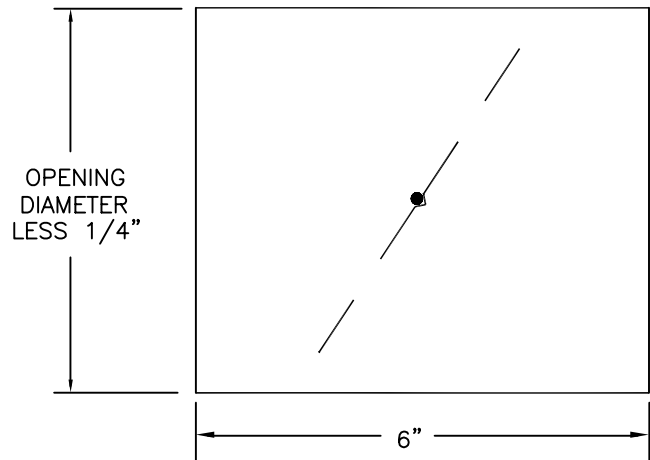
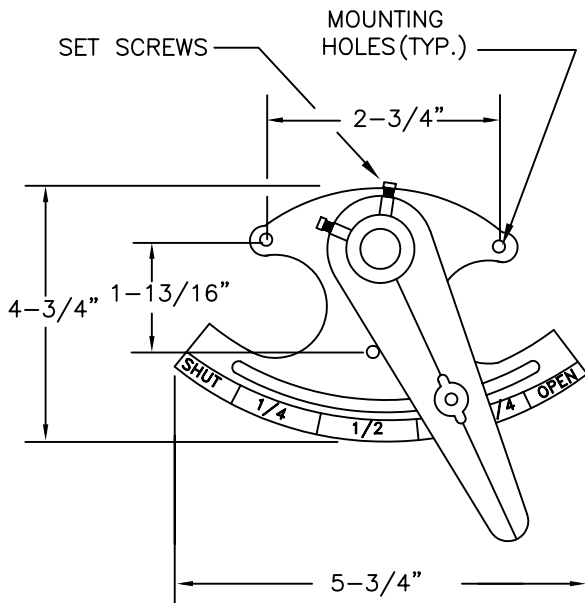
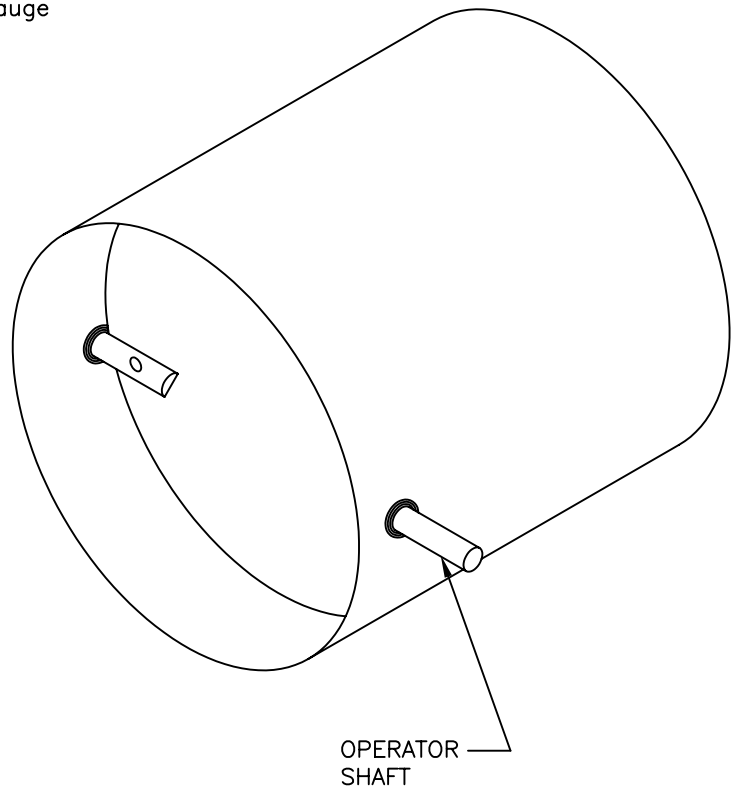


## CONSTRUCTION NOTES:

- **Frame & Blades:** 4" – 12" diameter 22 gauge galvanized steel. 13" – 18" diameter 20 gauge galvanized steel.
- **Bearings:** Permanently lubricated oilite bronze, press fit into frame.
- **Operator Shaft:** 1/2" diameter plated steel shaft extends 3" past frame.
- **Size:** Minimum: 4"  
Maximum: 18"

## OPTIONS:

- Polyurethane foam blade seals.
- Motor mounting – factory furnished or by others.
- Manual quadrant.



### NOTE:

All dampers are fabricated 1/4" under size unless specified "ACTUAL" or "EXACT".

NOTE: ALL DRAWINGS SUBJECT TO CHANGE WITHOUT PRIOR NOTICE.

TITLE:

MODEL RBD  
ROUND  
SINGLE BLADE BALANCING DAMPER



**Grille tech inc.**

DRN BY: CV  
DATE: 10/11/99

SCALE: NTS

DRAWING NO.

CKD BY: IG

DATE: 2/15/00

REV: C

AC102-A