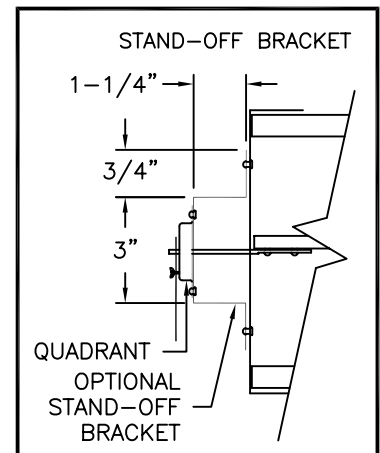
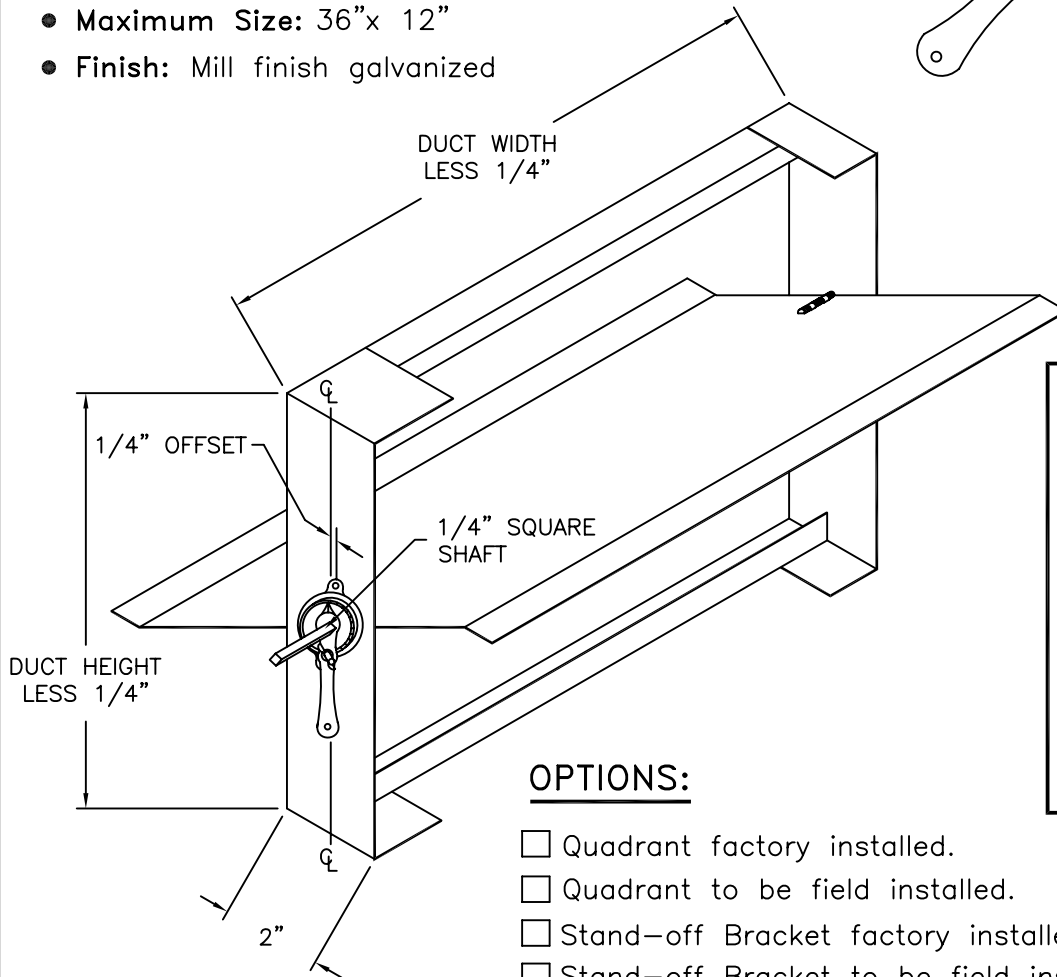
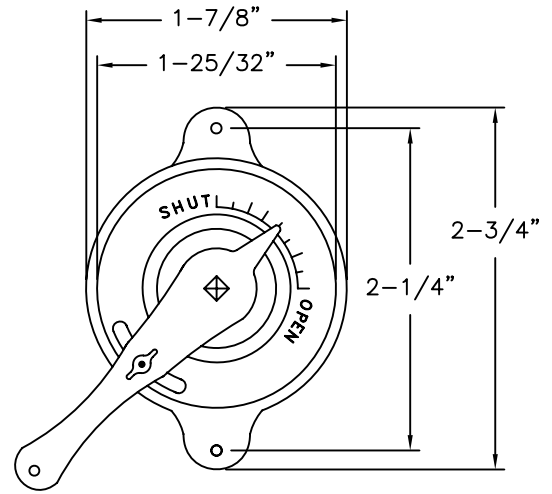


CONSTRUCTION NOTES:

- **Control Shaft:** 1/4"x 2" square plated steel
- **Quadrant:** Plated locking hand operator included. When factory installed rivets are offset 1/4" from centerline of unit to avoid interference with Blades.
- **Frame:** 2"x 18ga. Galvanized Steel
- **Blade:** 22ga. Galvanized Steel
- **Minimum Size:** 4"x 4"
- **Maximum Size:** 36"x 12"
- **Finish:** Mill finish galvanized



OPTIONS:

- Quadrant factory installed.
- Quadrant to be field installed.
- Stand-off Bracket factory installed.
- Stand-off Bracket to be field installed.

Notes:

1. If size required is not shown, use next larger size.
2. Manual locking quadrant is included in price.
3. All dampers are fabricated 1/4" under listed size unless specified "actual or exact".

NOTE: ALL DRAWINGS SUBJECT TO CHANGE WITHOUT PRIOR NOTICE.

TITLE:

MODEL SBD
CONTROL DAMPER
SINGLE BLADE BALANCING DAMPER



DRN BY: CV	DATE: 2/22/00	SCALE: NTS	DRAWING NO. AC101-F
CKD BY: DJL	DATE: 2/22/00	REV: A0	