

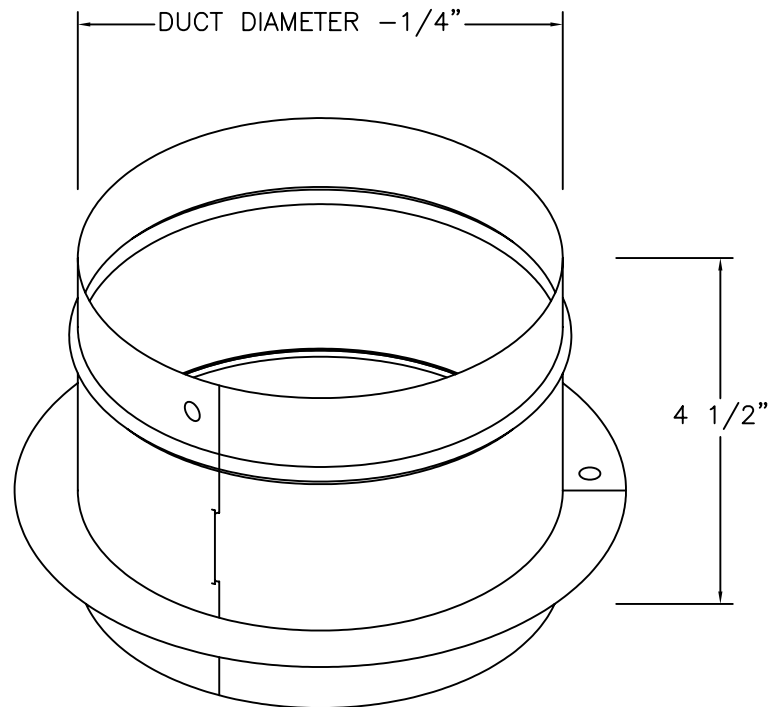


STANDARD CONSTRUCTION

BODY:
28 GAUGE ASTM A-653 HOT-DIPPED GALVANIZED STEEL SHEET

STANDARD SIZES:

DIAMETER	MODEL	CASE QTY.
4"	UBC04	100
5"	UBC05	100
6"	UBC06	75
7"	UBC07	60
8"	UBC08	50
9"	UBC09	40
10"	UBC10	40
12"	UBC12	25
14"	UBC14	20



FEATURES

ACCOMMODATES MULTIPLE SIZES OF FIBERGLASS BACKED GRILLES. (THE GRILLE TECH UNIVERSAL COMMERCIAL GRILLES FAMILY.)

DESIGN ALLOWS FOR A SOLID CONNECTION WITHOUT SHOWING TABS THROUGH THE FACE OF THE GRILLE.

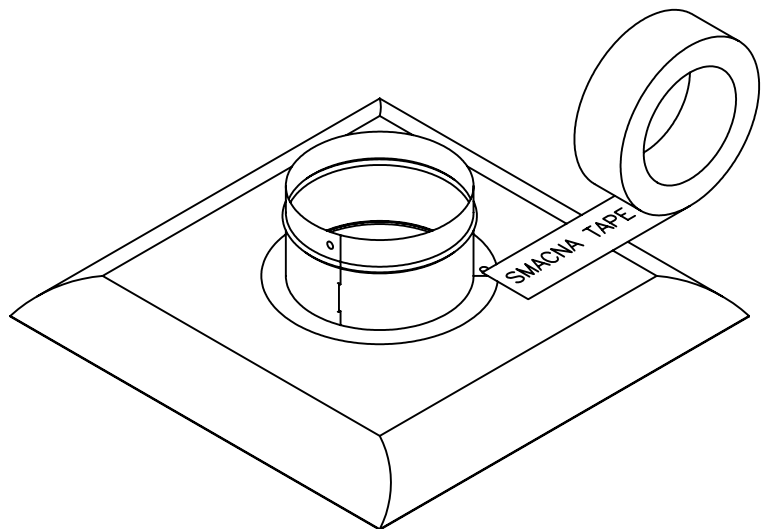
COLLAR EXTENDS BEYOND THE INSULATION, KEEPING FIBERGLASS OUT OF THE AIRSTREAM.

A MECHANICALLY CLOSED AND RIVETED BODY FOR ADDED STRENGTH.

1" FLANGE PROVIDES FOR A SOLID FIELD-TAPED SEAM.

THE UHB CAN BE FACTORY INSTALLED AS WELL USING A UL HOT-MELT PRODUCT.

OPTIONS: FACTORY INSTALLED



JOB NAME: _____

LOCATION: _____

ARCHITECT: _____

ENGINEER: _____

CONTRACTOR: _____

CONTACT GRILLE TECH INC. FOR ADDITIONAL INFORMATION OR WITH SPECIAL REQUIREMENTS.

5101 NW 36 AVE
MIAMI, FL 33142
PHONE: 305-537-0053
FAX: 305-537-0084

WEB: WWW.GRILLETECHINC.COM
EMAIL: SALES@GRILLETECHINC.COM

UBC

UNIVERSAL BACK COLLAR
PRODUCT SPECIFICATIONS

NOTE: ALL DRAWINGS SUBJECT TO CHANGE WITHOUT PRIOR NOTICE.



DRAWN BY: AF

DATE: 10/16/07

SCALE: NOT TO SCALE

DRAWING NO.

CHECKED BY: IG

DATE: 10/16/07

REVISION: 1

UBC