

OPTIONAL APD ADJUSTABLE PATTERN DEVICE  
MOVE TO DESIRED AIR PATTERN

**MATERIAL:**

- DIFFUSER: ALUMINUM
- ALUMINUM PANEL (MODEL TYPE 6A)
- DAMPER:
  - STEEL

**FINISH:**

- WHITE

**SIZES:**

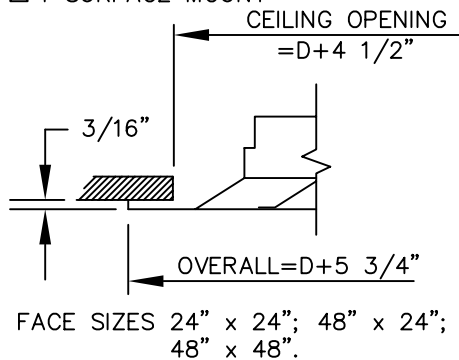
- ROUND NECK SIZES 6" MIN., 16" MAX.

**NOTES:**

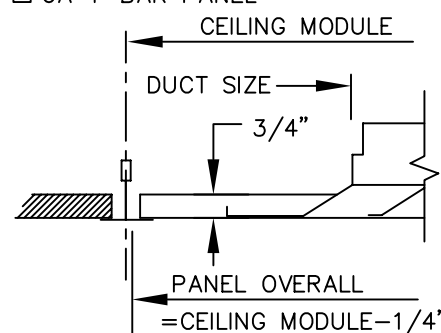
- HORIZONTAL BLADE TIPS ARE IDEAL FOR VAV APPLICATION
- OPPOSED BLADE DAMPER (OPTIONAL) IS ADJUSTABLE AND REMOVABLE THROUGH DIFFUSER FACE.
- DIFFUSER CORE SECTION IS REMOVABLE AND MAY BE ROTATED 90°, 180°, OR 270°
- CORE SECTIONS (OF SIMILAR DUCT SIZE) CAN BE INTERCHANGED
- FOR ROUND NECKS USE SQUARE/ROUND ADAPTOR
- APD ADJUSTABLE PATTERN DEVICE (OPTIONAL)

**FRAMES:**

□ 1 SURFACE MOUNT



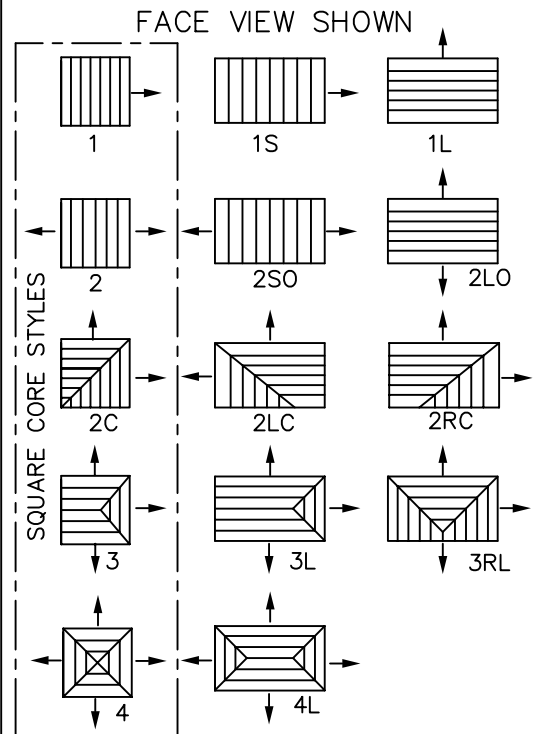
□ 6A T-BAR PANEL



FACE SIZE: 24" x 24"  
NECK SIZES 6" x 6" MIN., 18" x 18" MAX.

MAX. DUCT SIZE = CEILING MODULE - 6"

**CORE STYLES:**



**NOTE:** ALL DRAWINGS SUBJECT TO CHANGE WITHOUT PRIOR NOTICE.

TITLE: UH SERIES WITH APD ALUMINUM DIRECTIONAL LOUVERED FACE ADJUSTABLE DIFFUSERS (HORIZONTAL TIP BLADE)



DRN BY: CV	DATE: 11/16/99	SCALE: NTS	DRAWING NO. DD101-E
CKD BY: IG	DATE: 8/10/08	REV: C	