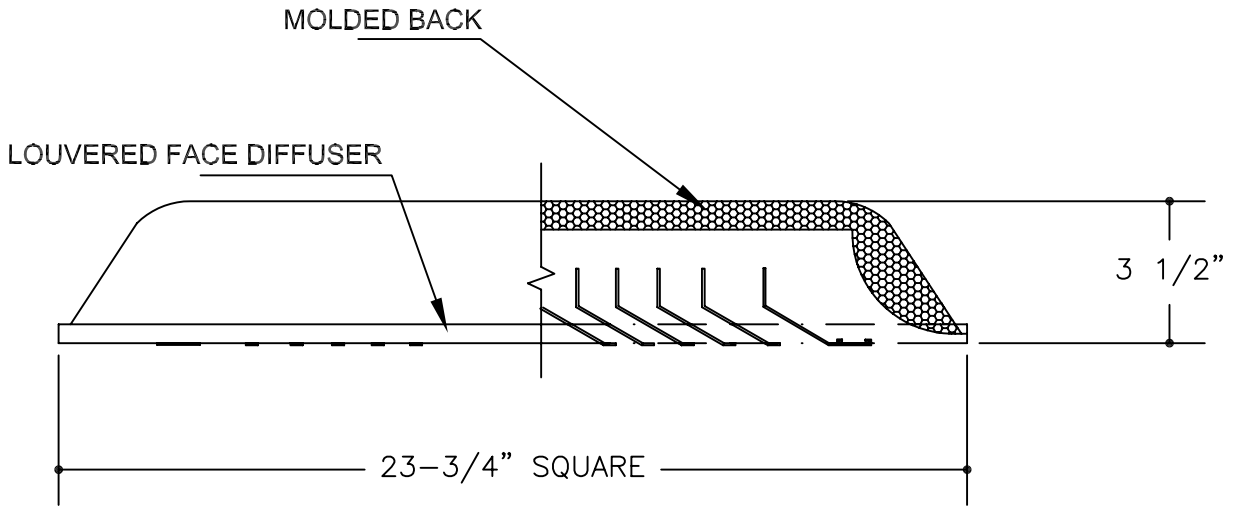


CONSTRUCTION:

- Complete molded R6 insulated back
- All Aluminum Construction

FEATURES:

- Superior sound absorption
- Light weight – Easily suspended
- Condensation free operation
- Sky-White, Dupont 100% Polyester Powder Coating Paint.



NOTE:

The molded back is easily cut with a pocket knife and the center connection provides a very uniform, widely dispersed air flow.

**NOTE:** ALL DRAWINGS SUBJECT TO CHANGE WITHOUT PRIOR NOTICE.

TITLE:

MODEL UHU  
ALUMINUM DIRECTIONAL  
LOUVERED FACE DIFFUSER  
W/ MOLDED UNIVERSAL BACK

 **GRILLE TECH INC.**

DRN BY: AV	DATE: 07/29/08	SCALE:	DRAWING NO.
CKD BY: IG	DATE: 07/29/08	REV: A	UHU