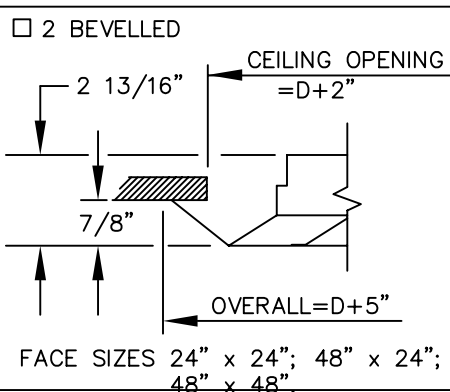
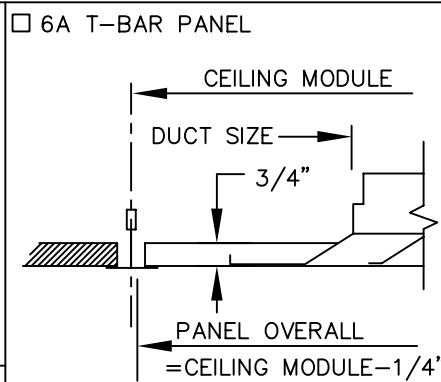
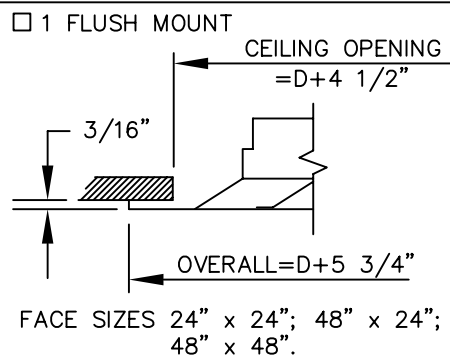


- MATERIAL:
- DIFFUSER: ALUMINUM
 - ALUMINUM PANEL (MODEL TYPE 6A)
 - DAMPER: STEEL
- FINISH:
- WHITE
 - OFF-WHITE
 - SATIN ALUMINUM

- NOTES:
- HORIZONTAL BLADE TIPS ARE IDEAL FOR VAV APPLICATION
 - OPPOSED BLADE DAMPER (OPTIONAL) IS ADJUSTABLE AND REMOVABLE THROUGH DIFFUSER FACE.
 - DIFFUSER CORE SECTION IS REMOVABLE AND MAY BE ROTATED 90°, 180°, OR 270°
 - CORE SECTIONS (OF SIMILAR DUCT SIZE) CAN BE INTERCHANGED
 - FOR ROUND NECKS USE SQUARE/ROUND ADAPTOR

FRAMES:

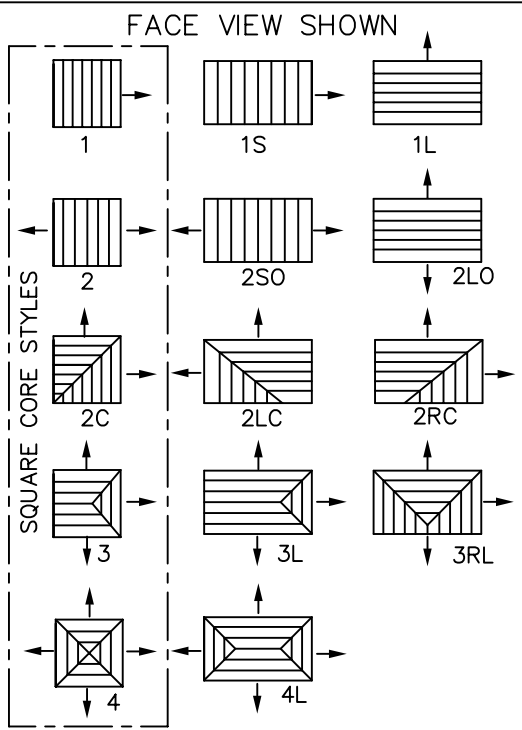


FACE SIZE: 24" x 24"

NECK SIZES: 6 x 6" MIN., 18 x 18" MAX.

MAX. DUCT SIZE = CEILING MODULE - 6"

CORE STYLES:



NOTE: ALL DRAWINGS SUBJECT TO CHANGE WITHOUT PRIOR NOTICE.

TITLE: UH SERIES ALUMINUM DIRECTIONAL (LOUVERED FACE) DIFFUSERS

Grille tech inc.

DRN BY: CV	DATE: 09/24/99	SCALE: NTS	DRAWING NO. UH
CKD BY:	DATE: 9/20/09	REV: B	