

STANDARD CONSTRUCTION

FRAME:
6063T5 EXTRUDED ALUMINUM
NOMINAL WALL THICKNESS OF 0.050"

SUPPLY CORE:
6063T5 EXTRUDED ALUMINUM
NOMINAL WALL THICKNESS OF 0.045"

RETURN CORE:
1/2" X 1/2" X 1/2" ALUMINUM CUBE CORE
PERMANENTLY FASTENED TO THE SUPPLY
CORE INTERIOR

FINISH:
POLYESTER SKY WHITE POWDER COAT (STANDARD)

STANDARD SIZES:

MODEL	OPENING DIMENSIONS	
	SUPPLY CORE	RETURN CORE
URC51209	12" X 12"	9" X 9"
URC51509	15" X 15"	9" X 9"
URC51812*	18" X 18"	12" X 12"
URC51815*	18" X 18"	15" X 15"
URC52115	21" X 21"	15" X 15"
URC52418	24" X 24"	18" X 18"
URC52718	27" X 27"	18" X 18"
URC53021	30" X 30"	21" X 21"
URC53321	33" X 33"	21" X 21"
URC53624	36" X 36"	24" X 24"
URC53927	39" X 39"	27" X 27"
URC54227	42" X 42"	27" X 27"
URC54230	42" X 42"	30" X 30"
URC54233	42" X 42"	33" X 33"
URC54530	45" X 45"	30" X 30"
URC54833	48" X 48"	33" X 33"
URC55436	54" X 54"	36" X 36"
URC56045	60" X 60"	45" X 45"

* SIZES 1812 AND 1815 ARE SUITABLE FOR T-BAR INSTALLATION

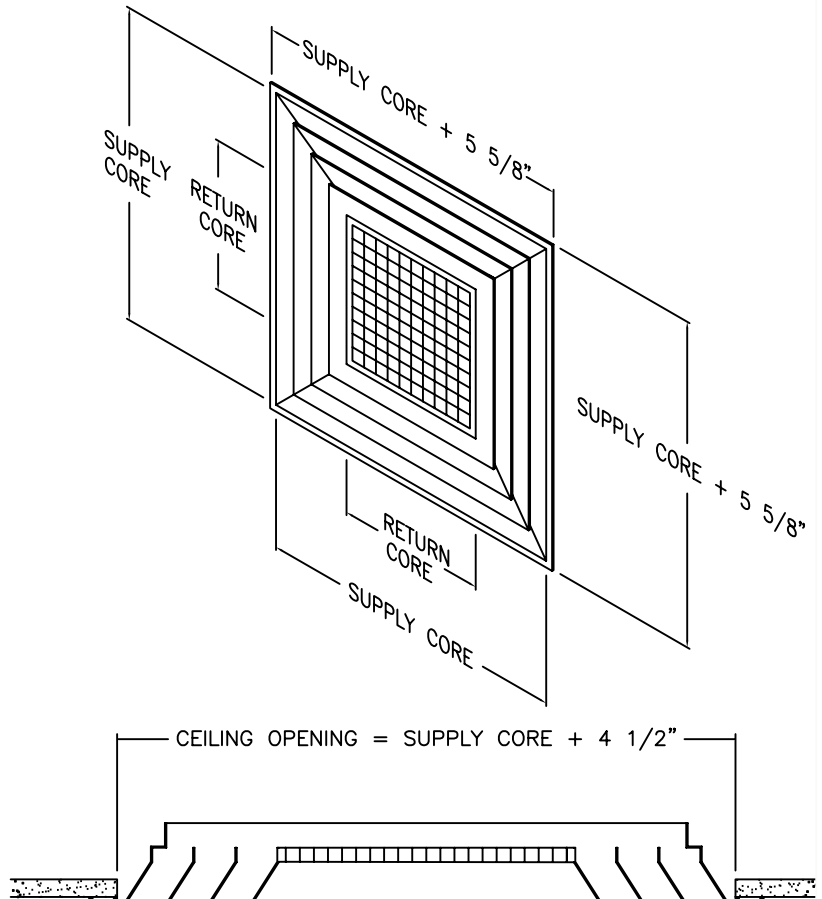
FEATURES

EXTRUDED ALUMINUM PROVIDES SUPERIOR DURABILITY AND CORROSION RESISTANCE.

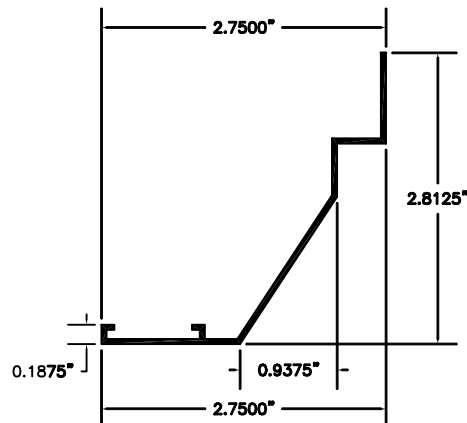
DUPONT 100% POLYESTER POWDER COATING GIVES AN ATTRACTIVE BRIGHT WHITE FINISH AND PROVIDES ADDITIONAL PROTECTION FROM AGING AND WEAR.

DIFFUSER IS INTENDED FOR SUPPLY/RETURN USE IN CONJUNCTION WITH A ROOFTOP AIR HANDLER.

SUPPLY SECTION IS A FIXED (NON-REMOVABLE) CORE, 4-WAY DISCHARGE.



JOB NAME:
LOCATION:
ARCHITECT:
ENGINEER:
CONTRACTOR:
CONTACT GRILLE TECH INC. FOR ADDITIONAL INFORMATION OR WITH SPECIAL REQUIREMENTS.
5101 NW 36TH AVE MIAMI, FL 33142 PHONE: 305-537-0053 FAX: 305-577-0064
WEB: WWW.GRILLETECHINC.COM EMAIL: SALES@GRILLETECHINC.COM


URC5

CONCENTRIC DIFFUSER
PRODUCT SPECIFICATIONS

NOTE: ALL DRAWINGS SUBJECT TO CHANGE WITHOUT PRIOR NOTICE.

DRAWN BY: AF	DATE: 12/18/07	SCALE: NOT TO SCALE	DRAWING NO. DD103-A
CHECKED BY: IG	DATE: 12/18/07	REVISION: IG	