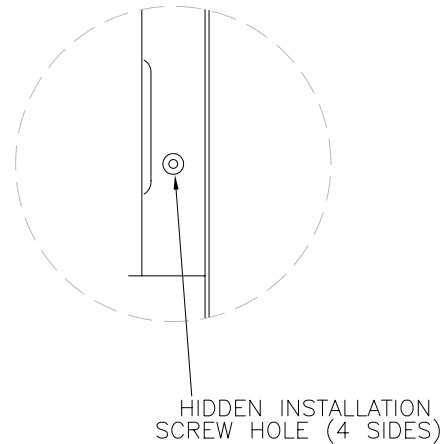


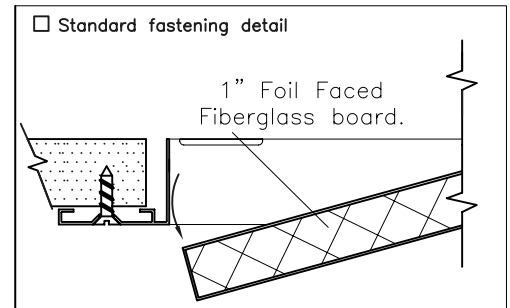
SIZES AVAILABLE:

8X8
10X10
12X12
14X14
16X16
18X18
20X20
24X24



CONSTRUCTION NOTES:

- **Frame:** Heavy extruded aluminum construction. Frame is assembled using corner clips to assure hairline mitered corners.
- **Access Doors:** Made of stucco embossed galv-alumn. sheet (AZ50) with a perimeter aluminum channel and 1" R-4.2 foil faced fiberglass board for insulation and sound attenuation.
- **Finish:** Standard finish, sky white powder coat paint by Dupont (100% polyester).
- **Options:** Custom size (specify _____)
 Special color (specify _____)



NOTE: ALL DRAWINGS SUBJECT TO CHANGE WITHOUT PRIOR NOTICE.

TITLE:
 WALL ACCESS PANEL
 WITH INSULATION
 WAPI

GRILLE TECH INC.

DRN BY: JR	DATE: 07/14/06	SCALE: NTS	DRAWING NO. WAPI
CKD BY: IG	DATE: 07/14/06	REV: IG	