

WALL LOUVER SYSTEM

ALUMINUM. IMPACT RESISTANT.



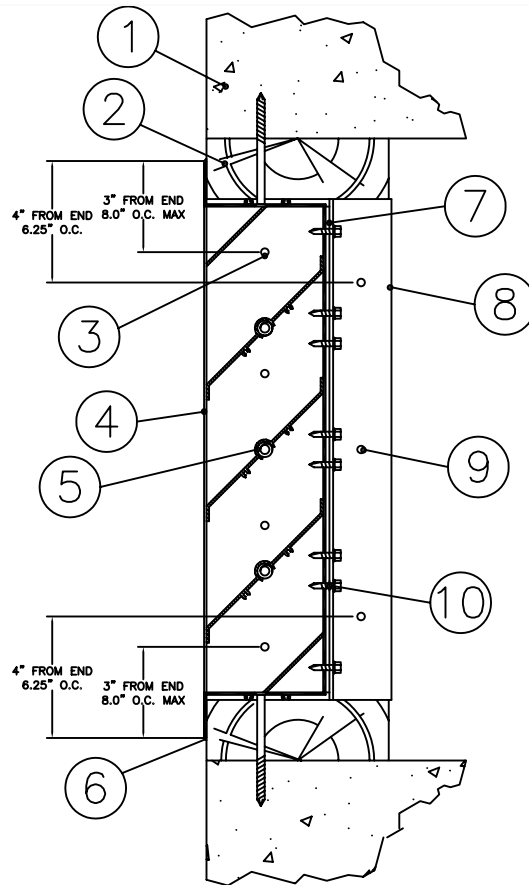
MIAMI-DADE COUNTY, FLORIDA
NOA NO. 04-1222.01
EXPIRATION DATE 8/11/2010
APPROVAL DATE 8/11/2005

PARTS:

1. WALL SUBSTRATE (3000 PSI MIN. CONCRETE STRUCTURE TYPICAL)
2. INSTALLATION WOOD BUCK (IF NECESSARY)
3. ANCHORAGE-A MOUNTING POSITION (SEE CHART)
4. ALUMINUM LOUVER
5. 1/2"-14 THREADED ZINC COATED ROD. WASHER AND NUT AT BOTH ENDS
6. CAULKING (IF NECESSARY)
7. 3/4" EXPANDED ALUMINUM BIRD SCREEN
8. 2" X 1" X 1/8" ALUMINUM L-BAR
9. ANCHORAGE-A ALTERNATE MOUNTING POSITION (SEE CHART)
10. #14 X 1/4" X 1" IHWH SHEET METAL SCREW

NOTES:

1. LOUVERS ARE TO BE INSTALLED IN A LOCATION WHICH IS DESIGNED TO DRAIN WATER PENETRATING THE ROOM, AND WILL HOUSE WATER RESISTANT OR WATER PROOF EQUIPMENT, COMPONENTS AND/OR SUPPLIES.
2. CHECK ALL SIDES OF INSTALLATION OPENING FOR STRAIGHTNESS. REPAIR ANY CRACKS OR VOIDS IN SUBSTRATE.
3. INSURE THAT BUCKS ARE CONTINUOUS AROUND THE OPENING AND ARE PLUMB, LEVEL AND SQUARE. THE BUCKS SHOULD BE SEALED TO THE WALL WITH GOOD QUALITY CAULKING.
4. WOOD BUCKS (BY INSTALLER) MUST SUSTAIN LOADS IMPOSED BY THE LOUVER SYSTEM AND TRANSFER THEM TO THE BUILDING STRUCTURE.
5. INSTALLATION MUST COMPLY WITH INSTRUCTIONS TO MEET MIAMI-DADE PRODUCT STANDARDS.

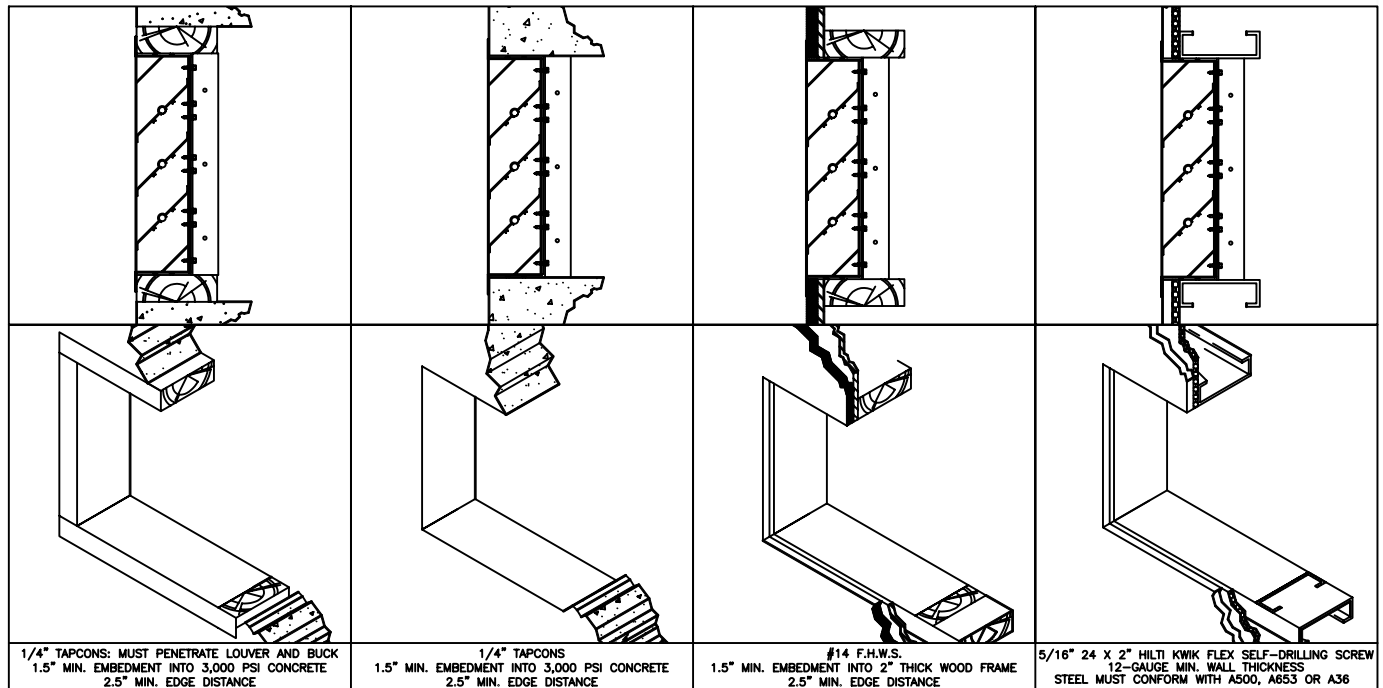


INSTALLING TO CONCRETE WITH BUCK

INSTALLING TO CONCRETE WITHOUT BUCK

INSTALLING TO WOODEN FRAME

INSTALLING TO METAL FRAME



WLF-DA

ALUMINUM WALL LOUVER SYSTEM
INSTALLATION INSTRUCTIONS



Grille tech inc.

DRAWN BY: AF

DATE: 09/01/05

SCALE: NOT TO SCALE

DRAWING NO.

CHECKED BY: AV

DATE: 06/30/07

REVISION: 01

WL103-A

WALL LOUVER SYSTEM

ALUMINUM. IMPACT RESISTANT.



MIAMI-DADE COUNTY, FLORIDA
NOA NO. 04-1222.01
EXPIRATION DATE 8/11/2010
APPROVAL DATE 8/11/2005

PAGE
2 OF 3

INSTALLATION INSTRUCTIONS: SINGLE UNIT APPLICATIONS

STEP 1:
PLACE INSTALLATION BUCK INSIDE THE PERIMETER OF THE OPENING. BE SURE IT IS TIGHT ON ALL SIDES AND SEALED TO THE WALL WITH GOOD QUALITY CAULK. (IF LOUVER FITS TIGHTLY IN THE OPENING, A BUCK MAY NOT BE NECESSARY.)

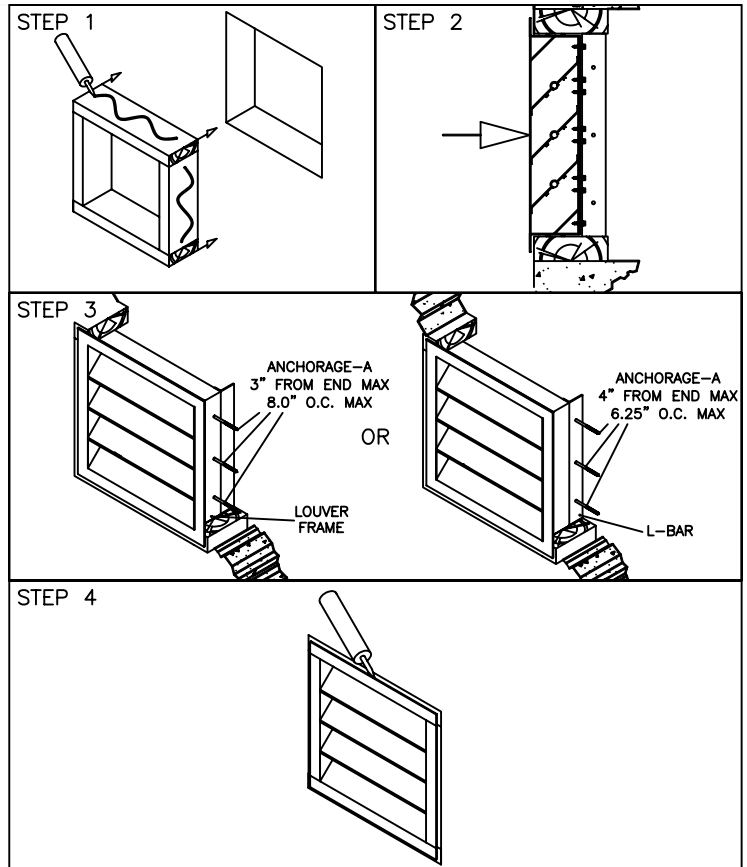
STEP 2:
SLIDE LOUVER INTO BUCK FROM THE FRONT.

STEP 3:
WHEN LOUVER IS TIGHTLY IN THE OPENING, INSTALL ANCHORAGE-A THROUGH THE LOUVER FRAME ON ALL SIDES INTO THE STRUCTURE. (THE ANCHORAGE MUST EMBED IN THE STRUCTURE ACCORDING TO THE CHART BELOW.)

OR

WHEN LOUVER IS TIGHTLY IN THE OPENING, INSTALL ANCHORAGE-A THROUGH THE 1" X 2" X 1/8" L-BAR. (THE ANCHORAGE MUST EMBED IN THE STRUCTURE ACCORDING TO THE CHART BELOW.)

STEP 4:
FOR A BETTER SEAL, CAULK AROUND THE FRONT OF THE LOUVER.



NOTE A:
WOOD BUCKS (BY INSTALLER) MUST SUSTAIN LOADS IMPOSED BY THE LOUVER SYSTEM AND TRANSFER THEM TO THE BUILDING STRUCTURE.

NOTE B:
INSTALLATION MUST COMPLY WITH INSTRUCTIONS TO MEET MIAMI-DADE PRODUCT STANDARDS.

ANCHORAGE CHART

	IN CONCRETE		IN WOOD		IN METAL	
ANCHORAGE-A	1/4" TAPCONS	1.5" MIN. EMBEDMENT 2.5" MIN. EDGE DIST. IN 3000 PSI CONCRETE	#14 F.H.W.S.	1.5" MIN. EMBEDMENT 2.5" MIN. EDGE DIST. IN 2" THICK WOOD FRAME BY BUILDER	5/16" -24 HILTI KWIK FLEX SELF-DRILLING SCREW	MIN. 12-GAUGE WALL THICKNESS. MUST CONFORM TO ASTM A500, A653 OR A36
ANCHORAGE-B	5/16" TAPCONS	1.75" MIN. EMBEDMENT 3.0" MIN. EDGE DIST. IN 3000 PSI CONCRETE	#20 F.H.W.S.	1.5" MIN. EMBEDMENT 3.0" MIN. EDGE DIST. IN 2" THICK WOOD FRAME BY BUILDER	5/16" -24 HILTI KWIK FLEX SELF-DRILLING SCREW	MIN. 12-GAUGE WALL THICKNESS. MUST CONFORM TO ASTM A500, A653 OR A36
ANCHORAGE-C	N/A	N/A	N/A	N/A	5/16" -24 HILTI KWIK FLEX SELF-DRILLING SCREW	USED TO ATTACH LOUVER TO ALUMINUM MULLION

WLF-DA

ALUMINUM WALL LOUVER SYSTEM
SINGLE UNIT INSTALLATION INSTRUCTIONS

NOTE: ALL DRAWINGS SUBJECT TO CHANGE WITHOUT PRIOR NOTICE.



DRAWN BY: AF	DATE: 09/01/05	SCALE: NOT TO SCALE	DRAWING NO. WL103-B
CHECKED BY: AV	DATE: 06/30/07	REVISION: 01	

WALL LOUVER SYSTEM

ALUMINUM. IMPACT RESISTANT.



MIAMI-DADE COUNTY, FLORIDA
NOA NO. 04-1222.01
EXPIRATION DATE 8/11/2010
APPROVAL DATE 8/11/2005

INSTALLATION INSTRUCTIONS: MULTIPLE UNIT APPLICATIONS

STEP 1:
ATTACH 3" X 6" X 1/8" MULLION BRACKETS TO THE TOP AND BOTTOM OF THE ALUMINUM MULLION USING ANCHORAGE-C.

STEP 2:
PLACE INSTALLATION BUCK INSIDE THE PERIMETER OF THE OPENING. BE SURE IT IS TIGHT ON ALL SIDES AND SEALED TO THE WALL WITH GOOD QUALITY CAULK. (IF LOUVERS FIT TIGHTLY IN THE OPENING, A BUCK MAY NOT BE NECESSARY.)

STEP 3:
CENTER MULLION IN THE OPENING FLUSH TO THE FRONT AND ATTACH USING ANCHORAGE-B. (THE ANCHORAGE MUST EMBED IN THE STRUCTURE ACCORDING TO THE CHART BELOW.)

STEP 4:
SLIDE LOUVERS INTO THE OPENING FROM THE FRONT.

STEP 5:
WHEN LOUVERS ARE TIGHTLY IN THE OPENING, INSTALL ANCHORAGE-C THROUGH THE LOUVER FRAME INTO THE ALUMINUM MULLION, AND ANCHORAGE-A THROUGH THE LOUVER FRAME INTO THE STRUCTURE. (THE ANCHORAGE MUST EMBED IN THE STRUCTURE ACCORDING TO THE CHART BELOW.)

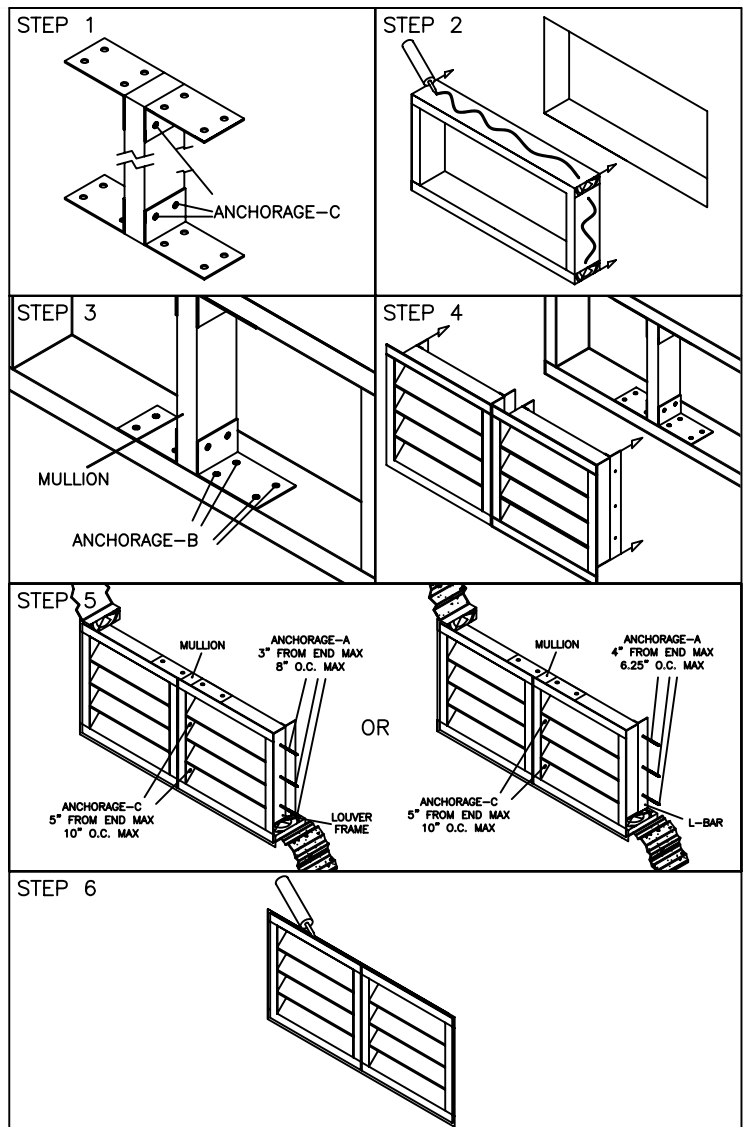
OR

WHEN LOUVERS ARE TIGHTLY IN THE OPENING, INSTALL ANCHORAGE-C THROUGH THE LOUVER FRAME INTO THE ALUMINUM MULLION, AND ANCHORAGE-A THROUGH THE 1" X 2" X 1/8" L-BAR INTO THE STRUCTURE. (THE ANCHORAGE MUST EMBED IN THE STRUCTURE ACCORDING TO THE CHART BELOW.)

STEP 6:
FOR A BETTER SEAL, CAULK AROUND THE FRONT OF THE LOUVER.

NOTE A:
WOOD BUCKS (BY INSTALLER) MUST SUSTAIN LOADS IMPOSED BY THE LOUVER SYSTEM AND TRANSFER THEM TO THE BUILDING STRUCTURE.

NOTE B:
INSTALLATION MUST COMPLY WITH INSTRUCTIONS TO MEET MIAMI-DADE PRODUCT STANDARDS.



ANCHORAGE CHART

	IN CONCRETE		IN WOOD		IN METAL	
ANCHORAGE-A	1/4" TAPCONS	1.5" MIN. EMBEDMENT 2.5" MIN. EDGE DIST. IN 3000 PSI CONCRETE	#14 F.H.W.S.	1.5" MIN. EMBEDMENT 2.5" MIN. EDGE DIST. IN 2" THICK WOOD FRAME BY BUILDER	5/16" -24 HILTI KWIK FLEX SELF-DRILLING SCREW	MIN. 12-GAUGE WALL THICKNESS. MUST CONFORM TO ASTM A500, A653 OR A36
ANCHORAGE-B	5/16" TAPCONS	1.75" MIN. EMBEDMENT 3.0" MIN. EDGE DIST. IN 3000 PSI CONCRETE	#20 F.H.W.S.	1.5" MIN. EMBEDMENT 3.0" MIN. EDGE DIST. IN 2" THICK WOOD FRAME BY BUILDER	5/16" -24 HILTI KWIK FLEX SELF-DRILLING SCREW	MIN. 12-GAUGE WALL THICKNESS. MUST CONFORM TO ASTM A500, A653 OR A36
ANCHORAGE-C	N/A	N/A	N/A	N/A	5/16" -24 HILTI KWIK FLEX SELF-DRILLING SCREW	USED TO ATTACH LOUVER TO ALUMINUM MULLION

WLF-DA

ALUMINUM WALL LOUVER SYSTEM
MULTIPLE UNIT INSTALLATION INSTRUCTIONS

NOTE: ALL DRAWINGS SUBJECT TO CHANGE WITHOUT PRIOR NOTICE.



DRAWN BY: AF	DATE: 09/01/05	SCALE: NTS	DRAWING NO. WL103-C
CHECKED BY: AV	DATE: 06/30/07	REVISION: 01	