

(ENGINEER'S)  
**SUBMITTAL DATA**

**MODEL WLF-DA15: 6" DEEP FIXED HURRICANE LOUVER**

 MIAMI-DADE, FLORIDA NOA NO. 10-0518.05  
 EXPIRATION DATE: 6/30/2015  
 APPROVAL DATE: 7/05/2010

**MAXIMUM DESIGN PRESSURE RATING**

 SINGLE UNIT: +/- 140.0 PSF  
 MULTIPLE UNIT: +/- 140.0 PSF

PRODUCT APPROVAL IS IN ACCORDANCE WITH THE FLORIDA BUILDING CODE AS OF 6/10/2010. DESIGN WIND LOADS SHALL BE DETERMINED AS PER SECTIONS 1619 AND 1620 OF 2007 FLORIDA BUILDING CODE AND ALSO SHALL BE IN ACCORDANCE WITH ASCE-7.

**APPLICATIONS**

THE MODEL WLF-DA15 IS A STATIONARY LOUVER DESIGNED TO PROTECT EITHER EXHAUST OR INTAKE OPENINGS IN A BUILDINGS EXTERIOR WALLS. THIS LOUVER HAS BEEN REVIEWED BY THE MIAMI-DADE COUNTY FLORIDA PRODUCT CONTROL DIVISION AND ACCEPTED BY THE BOARD OF RULES AND APPEALS (BORA) TO BE USED IN HIGH VELOCITY HURRICANE ZONES (HVHZ) AS WELL AS OTHER REGIONS AS LONG AS THEY DO NOT EXCEED THE +/- 140 PSF RATING. THE LOUVER HAS ALSO BEEN TESTED TO PROVIDE LARGE MISSILE IMPACT RESISTANCE AND IS CONSTRUCTED OF ALUMINUM TO RESIST OXIDATION.

**STANDARD CONSTRUCTION**
**FRAME :**  
 6063T5 EXTRUDED ALUMINUM  
 NOMINAL WALL THICKNESS OF 0.081"  
 UNIVERSAL 1.5" FLANGE WITH A 4" DEEP FRAME  
 CAULKING SURFACE PROVIDED

**BLADES :**  
 6063T5 EXTRUDED ALUMINUM  
 NOMINAL WALL THICKNESS OF 0.081"  
 BLADES ARE POSITIONED AT 45 DEG. ANGLE  
 SPACED AT APPROX. 4" CENTERS

**BIRD SCREEN:**  
 3/4" X .051" EXPANDED ALUMINUM BIRD SCREEN  
 REMOVABLE FRAME  
 REAR (INSIDE) MOUNTING POSITION

**FINISH:**  
 MILL ALUMINUM (STANDARD)  
 SKY WHITE POWDER COAT (100% POLYESTER)  
 AVAILABLE FOR ADDITIONAL FEE

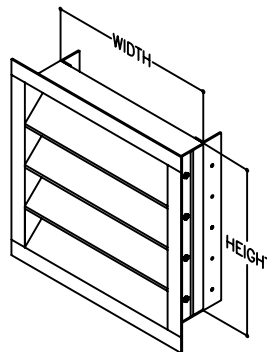
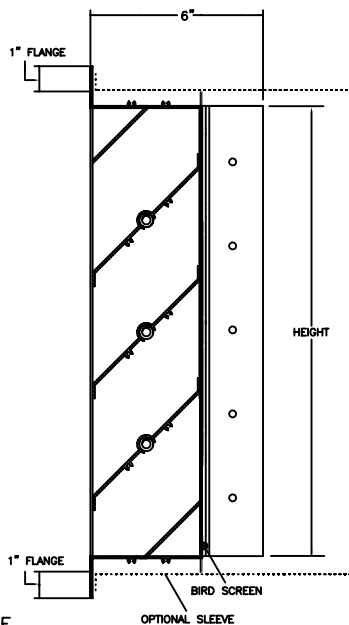
**MINIMUM SIZE\*\*:**  
 10"W X 10"H

**MAXIMUM SIZE\*\*:**  
 •60"W X 96"H SINGLE SECTION  
 •60"W X 192"H TWO SINGLE SECTION STACKED WITH A HORIZONTAL MULLION  
 •LARGER SIZES CAN BE MADE USING UP TO THREE 60"W X 96"H SECTIONS WITH VERTICLE MULLIONS

**APPROXIMATE SHIPPING WEIGHT:**  
 10 LBS/SQ. FT. (49 KG/SQ. M.)

**OPTIONS: (AT ADDITIONAL COST)**  
 INSECT SCREEN  
 SKY WHITE POWDER COAT BY DUPONT (100% POLYESTER)  
 11" DEEP X .125 ALUMINUM SLEEVE

**INSTALLATION:**  
 MUST COMPLY WITH INSTRUCTIONS TO MEET MIAMI-DADE PRODUCT STANDARDS.

**\*\*NOTE:** ACTUAL WIDTH AND HEIGHT DIMENSIONS ARE APPROXIMATELY 1/4" LESS THAN LISTED TO ALLOW FOR CLEARANCE

**FEATURES**

HEAVY EXTRUDED ALUMINUM PROVIDES SUPERIOR PROTECTION FROM LARGE, WIND-BOURNE MISSILE IMPACT.

ONE VERTICLE CENTER REINFORCEMENT ADDED AFTER 30"W TO PROVIDE ADDITIONAL SUPPORT.

LOUVER DESIGNED FOR LOCATIONS THAT DRAIN WATER WHICH HAS PENETRATED THE ROOM. THE ROOM SHOULD HOUSE WATER RESITANT OR WATER PROOF EQUIPMENT, COMPONENTS AND/OR SUPPLIES.

FLANGED FACE ALLOWS FOR INSTALLATION IN ANY WALL THICKNESS, AND ANY MATERIAL SUBSTRATE.

2" EXTENDED JAM WITH PREDRILLED HOLES TO ALLOW MULTIPLE ANCHORAGE LOCATIONS.

MAXIMUM SINGLE UNIT DIMENSIONS ARE 60"W X 96"H. FOR LARGER OPENINGS, LOUVERS CAN BE COMBINED USING OUR APPROVED ALUMINUM MULLIONS.

PERFORMANCE RATINGS BASED ON TESTING IN ACCORDANCE WITH FLORIDA BUILDING CODES TAS 201, 202, AND 203.

JOB NAME:	
LOCATION:	
ARCHITECT:	
ENGINEER:	
CONTRACTOR:	
CONTACT GRILLE TECH INC. FOR ADDITIONAL INFORMATION OR WITH SPECIAL REQUIREMENTS.	
5101 NW 36TH AVE MIAMI, FL 33142 PHONE: 305-537-0053 FAX: 305-577-0064	
WEB: WWW.GRILLETECHINC.COM EMAIL: SALES@GRILLETECHINC.COM	

**WLF-DA15**

 ALUMINUM WALL LOUVER SYSTEM  
 ENGINEER'S SUBMITTAL DATA

NOTE: ALL DRAWINGS SUBJECT TO CHANGE WITHOUT PRIOR NOTICE.

DRAWN BY: CG	DATE: 06/30/10	SCALE: NOT TO SCALE	DRAWING NO.
CHECKED BY: AV	DATE: 06/30/10	REVISION: 02	WLF-DA15



**BUILDING CODE COMPLIANCE OFFICE (BCCO)  
PRODUCT CONTROL DIVISION  
NOTICE OF ACCEPTANCE (NOA)**

MIAMI-DADE COUNTY, FLORIDA  
METRO-DADE FLAGLER BUILDING  
140 WEST FLAGLER STREET, SUITE 1603  
MIAMI, FLORIDA 33130-1563  
(305) 375-2901 FAX (305) 372-6339  
[www.miamidade.gov/buildingcode](http://www.miamidade.gov/buildingcode)

**Grille Tech, Inc.  
5101 NW 36 Avenue  
Miami, FL 33142**

**SCOPE:**

This NOA is being issued under the applicable rules and regulations governing the use of construction materials. The documentation submitted has been reviewed by Miami-Dade County Product Control Division and accepted by the Board of Rules and Appeals (BORA) to be used in Miami Dade County and other areas where allowed by the Authority Having Jurisdiction (AHJ).

This NOA shall not be valid after the expiration date stated below. The Miami-Dade County Product Control Division (In Miami Dade County) and/or the AHJ (in areas other than Miami Dade County) reserve the right to have this product or material tested for quality assurance purposes. If this product or material fails to perform in the accepted manner, the manufacturer will incur the expense of such testing and the AHJ may immediately revoke, modify, or suspend the use of such product or material within their jurisdiction. BORA reserves the right to revoke this acceptance, if it is determined by Miami-Dade County Product Control Division that this product or material fails to meet the requirements of the applicable building code.

This product is approved as described herein, and has been designed to comply with the Florida Building Code, including the High Velocity Hurricane Zone.

**DESCRIPTION: Model WLF-DA15 Aluminum Louver**

**APPROVAL DOCUMENT:** Drawing No. **0551-0402-10**, titled "WLF-DA15 Aluminum Wall Louver", sheets 1 through 6 of 6, dated 04/30/09, prepared by Wolters Engineering, Inc, signed and sealed by Scott Wolters, P.E., bearing the Miami-Dade County Product Control approval stamp with the Notice of Acceptance number and approval date by the Miami-Dade County Product Control Division.

**MISSILE IMPACT RATING: Large and Small Missile Impact Resistant**

**LABELING:** Each unit shall bear a permanent label with the manufacturer's name or logo, Wyalusing, PA, and the following statement: "Miami-Dade County Product Control Approved", unless otherwise noted herein.

**RENEWAL** of this NOA shall be considered after a renewal application has been filed and there has been no change in the applicable building code negatively affecting the performance of this product.

**TERMINATION** of this NOA will occur after the expiration date or if there has been a revision or change in the materials, use, and/or manufacture of the product or process. Misuse of this NOA as an endorsement of any product, for sales, advertising or any other purposes shall automatically terminate this NOA. Failure to comply with any section of this NOA shall be cause for termination and removal of NOA.

**ADVERTISEMENT:** The NOA number preceded by the words Miami-Dade County, Florida, and followed by the expiration date may be displayed in advertising literature. If any portion of the NOA is displayed, then it shall be done in its entirety.

**INSPECTION:** A copy of this entire NOA shall be provided to the user by the manufacturer or its distributors and shall be available for inspection at the job site at the request of the Building Official. This NOA consists of this page 1 and evidence page E-1, as well as approval document mentioned above. The submitted documentation was reviewed by **Carlos M. Utrera, P.E.**



*Handwritten signature and date: 6/10/10*

NOA No. 10-0518.05  
Expiration Date: June 30, 2015  
Approval Date: June 30, 2010  
Page 1

**NOTICE OF ACCEPTANCE: EVIDENCE SUBMITTED**

**A. DRAWINGS**

1. Drawing No. **0551-0402-10**, titled "WLF-DA15 Aluminum Wall Louver", sheets 1 through 6 of 6, dated 04/30/09, prepared Wolters Engineering, Inc, signed and sealed by Scott Wolters, P.E.

**B. TESTS**

1. Test reports on: 1) Uniform Static Air Pressure Test, Loading per FBC TAS 202-94  
2) Large Missile Impact Test per FBC, TAS 201-94  
3) Cyclic Wind Pressure Loading per FBC, TAS 203-94  
along with marked-up drawings and installation diagram of WLF-DA15 Aluminum Louver Systems", prepared by Hurricane Test Laboratory, Inc., Report No. **0551-0204-10**, dated 04/30/10, signed and sealed by Vinu J. Abraham, P.E.

**C. CALCULATIONS**

1. Anchor verification calculations and structural analysis prepared by Wolters Engineering, Inc, dated 05/12/10, signed and sealed by Scott Wolters, P.E.

**D. QUALITY ASSURANCE**

1. Miami Dade Building Code Compliance Office (BCCO)

**E. MATERIAL CERTIFICATIONS**

1. None.

**F. STATEMENTS**

1. 2007 Florida Building Code compliance letter issued by Wolters Engineering, Inc, dated 10/07/09, signed and sealed by Scott Wolters, P.E.
2. No financial interest letter issued by Wolters Engineering, Inc, dated 10/13/09, signed and sealed by Scott Wolters, P.E.
3. Code compliance letter issued by Hurricane Test Laboratory, Inc., dated 04/29/10, signed and sealed by Vinu J. Abraham, P.E.



Carlos M. Utrera, P.E.

Product Control Examiner

NOA No. 10-0518.05

Expiration Date: June 30, 2015

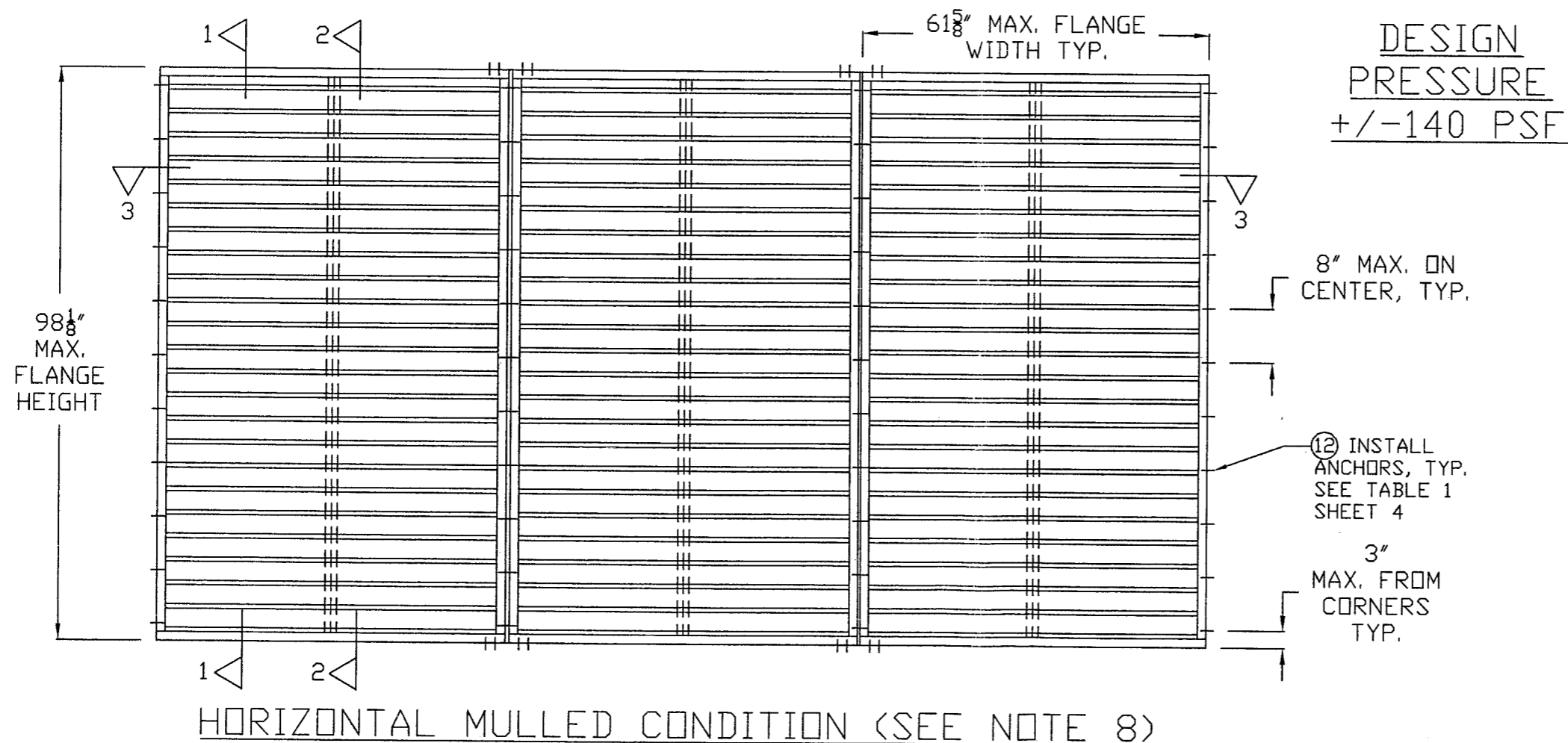
Approval Date: June 30, 2010

GENERAL NOTES

1. THIS ALUMINUM WALL LOUVER PRODUCT IS LARGE MISSILE IMPACT RESISTANT AND DOES NOT REQUIRE THE USE OF SHUTTERS.
2. THIS LOUVER SYSTEM HAS BEEN TESTED TO TAS 201-94, TAS 202-94 (LOADS ONLY), AND TAS 203-94 (REF. HTL TEST REPORT 0551-0204-10) AND MEETS THE REQUIREMENTS OF THE FLORIDA BUILDING CODE, 2007 EDITION.
3. THIS LOUVER PRODUCT IS NOT TESTED FOR WATER INFILTRATION RESISTANCE. THESE LOUVERS ARE TO BE INSTALLED IN A LOCATION WHERE THE ROOM BEHIND THE LOUVER IS DESIGNED TO DRAIN WATER PENETRATING INTO THE ROOM, AND THE ROOM WILL HOUSE WATER RESISTANT / WATER PROOF EQUIPMENT, COMPONENTS, OR SUPPLIES.
4. THE STRUCTURAL ADEQUACY AND SUITABILITY OF THE WOOD BUCKS OR OTHER SUBSTRATES TO WHICH THE LOUVER SYSTEM IS TO BE INSTALLED SHALL BE VERIFIED BY A LICENSED ENGINEER OR REGISTERED ARCHITECT OR AS APPROVED BY THE AUTHORITY HAVING JURISDICTION.
5. AN ALLOWABLE STRESS INCREASE HAS NOT BEEN USED IN THE ANCHOR ANALYSIS FOR THIS SYSTEM.
6. WHERE DISSIMILAR MATERIALS OF ANY TYPE (LOUVER SYSTEM, ANCHORAGE, OR SUBSTRATE) COME IN CONTACT, THE MATERIALS MUST BE PROPERLY COATED OR OTHERWISE PROTECTED AS REQUIRED IN THE FLORIDA BUILDING CODE TO PREVENT GALVANIC REACTIONS. SPECIAL CARE SHALL BE TAKEN TO PROTECT ALUMINUM LOUVERS FROM PRESSURE TREATED LUMBER, AND ALL FASTENERS SHALL BE SELECTED WITH PROPER COATING OR MATERIAL TYPES TO PREVENT REACTIONS WITH LOUVERS OR SUBSTRATES.
7. MINIMUM LOUVER SIZE IS 10" X 10"
8. LOUVERS MAY BE USED IN SINGLE UNIT CONFIGURATION, DOUBLE WIDE OR TRIPLE WIDE MULLED, OR DOUBLE HIGH MULLED CONFIG.
9. THE MAXIMUM DESIGN PRESSURE OF THIS LOUVER SYSTEM IS + / - 140.0 P.S.F.

INDEX		BY	LAT
SHEET	DESCRIPTION		
1	NOTES, 3-WIDE ELEV.		
2	SECTIONS, DETAILS		
3	SECTIONS, DETAILS		
4	DETAILS, ANCHOR TABLE		
5	TWO-HIGH DETAILS, BOM		
6	EXTRUSION PROFILES		

REV.	DATE	DESCRIPTION
0	4/30/2009	ORIGINAL RELEASE



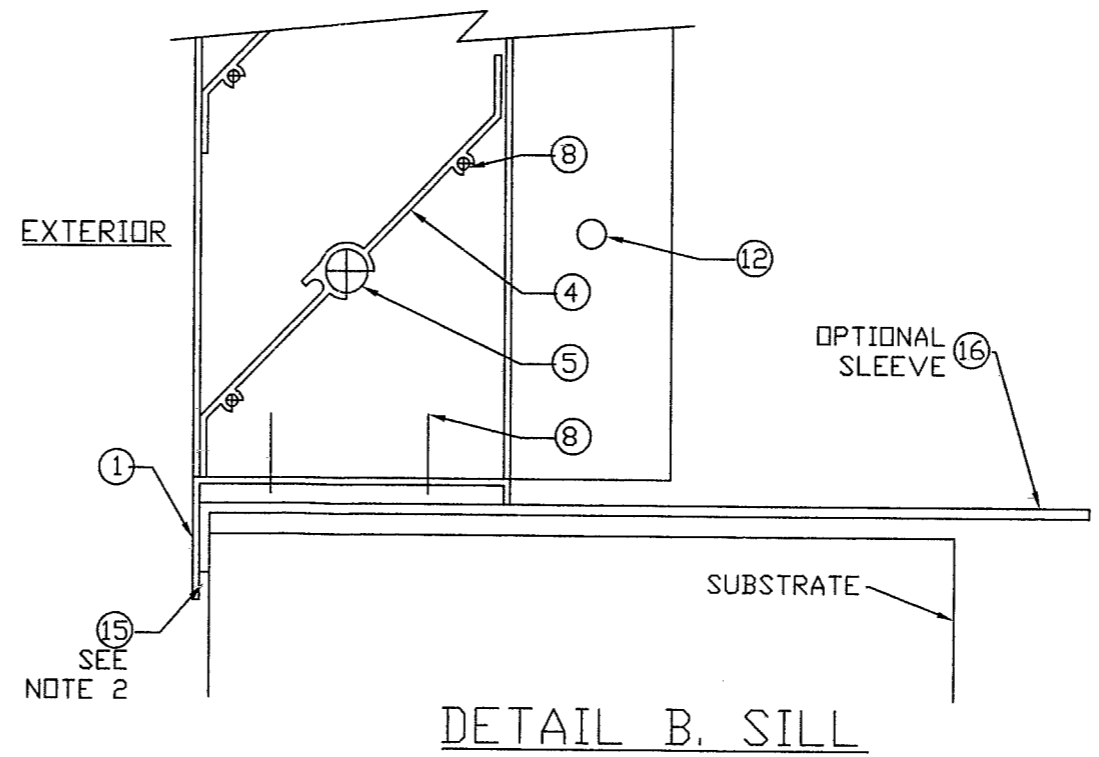
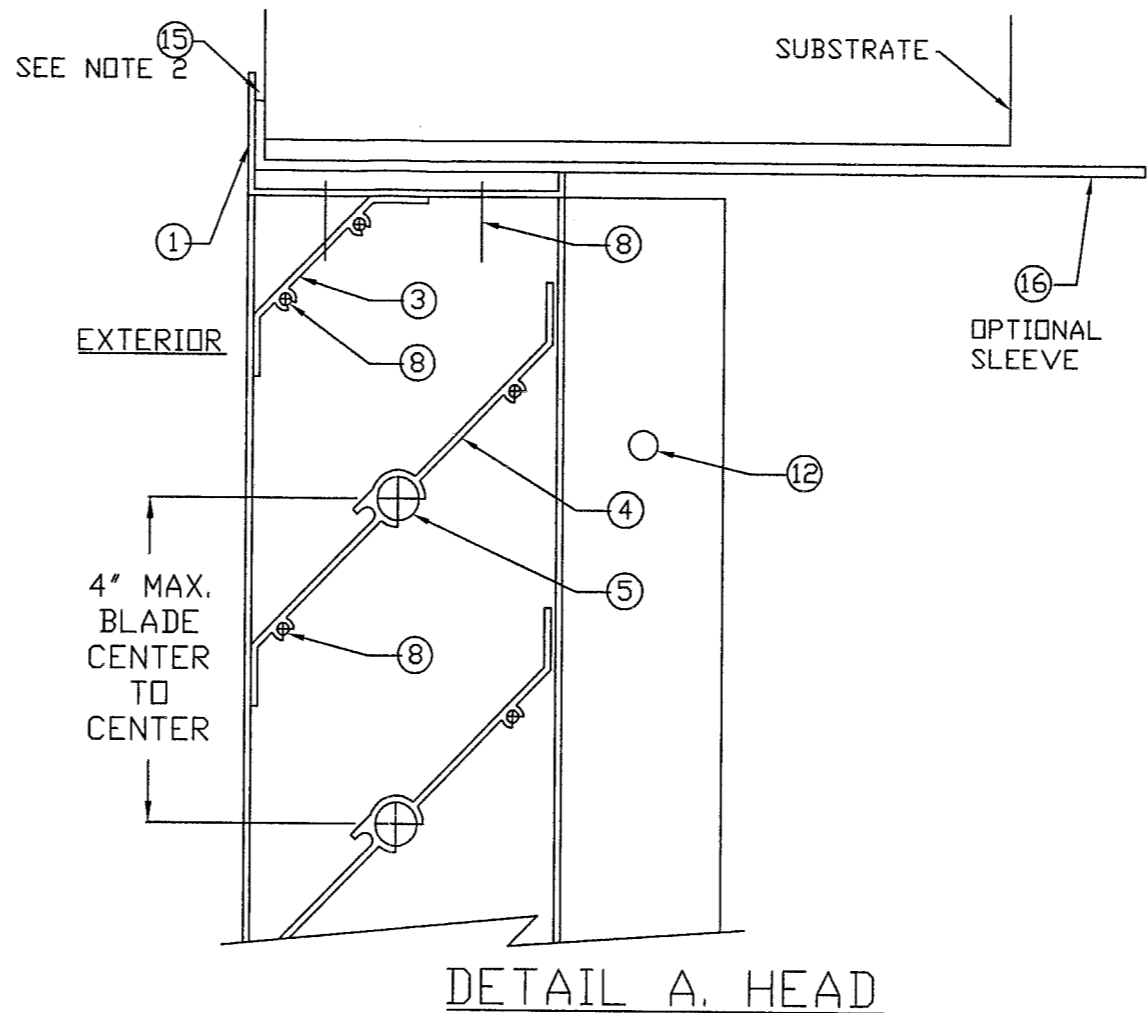
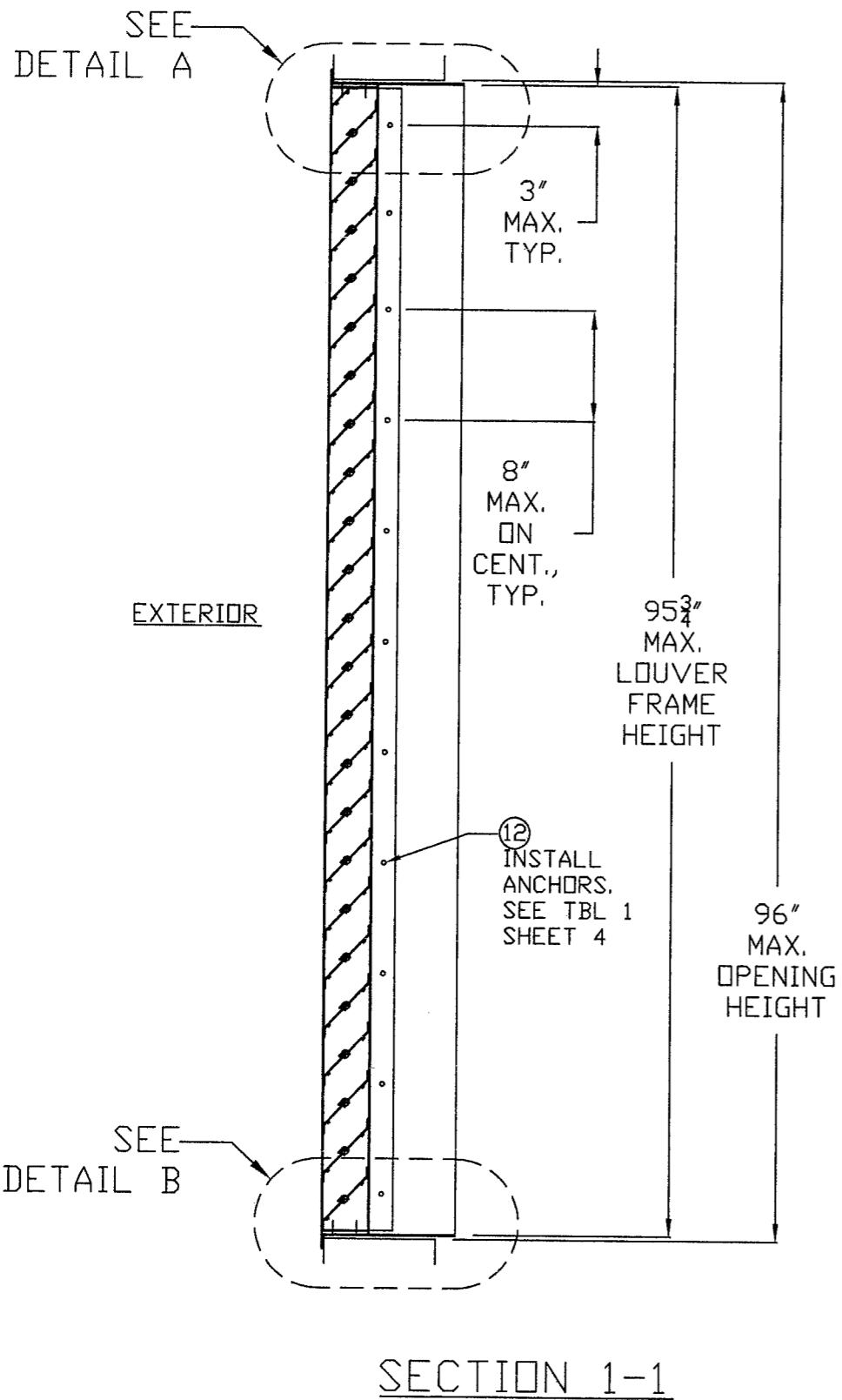
Approved as complying with the Florida Building Code  
 Date 06/30/2010  
 NOA# 10-0518.05  
 Miami Dade Product Control  
 Division           
 By         

*Scott Wolters*  
 SCOTT WOLTERS  
 FLPE# 62354  
 WOLTERS ENGINEERING, INC.  
 (COA# 27194)  
 1271 GRANT STREET  
 HOLLYWOOD, FL 33019  
 MAY 12 2010

**WLF-DA15 Aluminum Wall Louver**  
**Large Missile Impact Resistant**

**Grille Tech, Inc.**  
 5101 NW 36th AVE  
 MIAMI, FL 33142  
 PHONE: 305.537.0053  
 FAX: 305.537.0064

DRAWING # 0551-0402-10  
 SCALE: NTS  
 SHEET 1 of 6



NOTES  
 1. NO INSTALL ANCHORS THROUGH LOUVER FRAME HEAD OR SILL.  
 2. FULL COVERAGE DOW 795 SILICONE BETWEEN SLEEVE FRONT FLANGE TO SUBSTRATE, AND LOUVER FRONT FLANGE TO SUBSTRATE AND/OR SLEEVE FLANGE

Approved as complying with the Florida Building Code  
 Date 06/30/2010  
 NOA# 10-0518-05  
 Miami Dade Product Control Division  
 By *[Signature]*

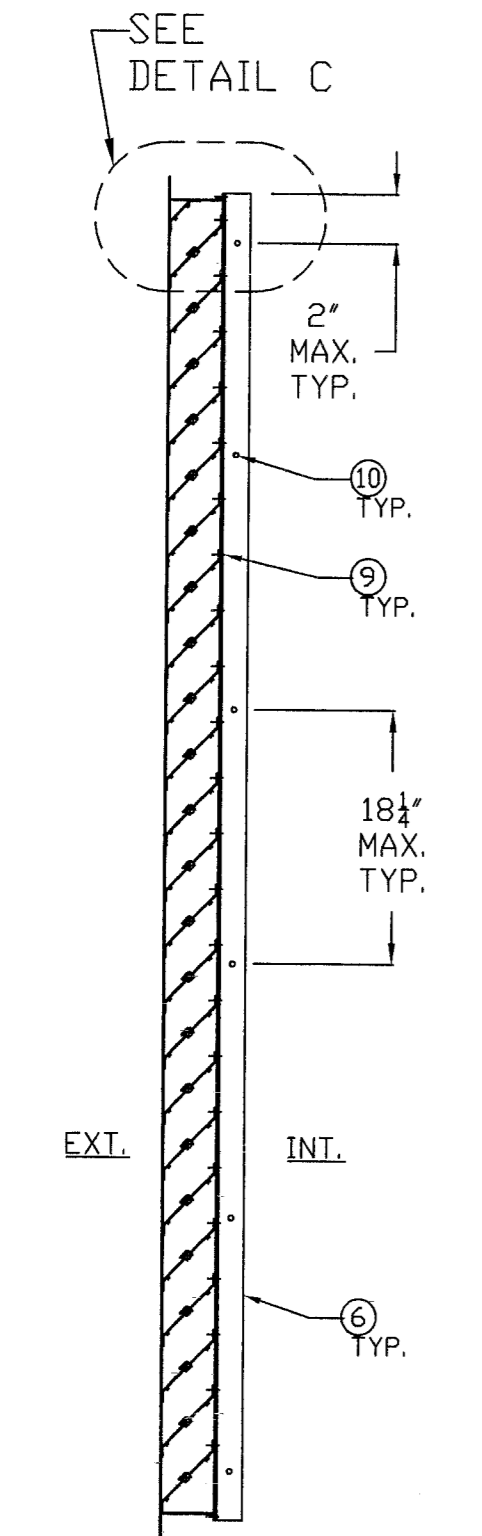
*Scott Wolters*  
 SCOTT WOLTERS  
 FLPE# 62354  
 WOLTERS ENGINEERING, INC.  
 (COA# 27194)  
 1271 GRANT STREET  
 HOLLYWOOD, FL 33019  
 MAY 12 2010

REV.	DATE	DESCRIPTION	BY	LAT
0	4/30/2009	ORIGINAL RELEASE		

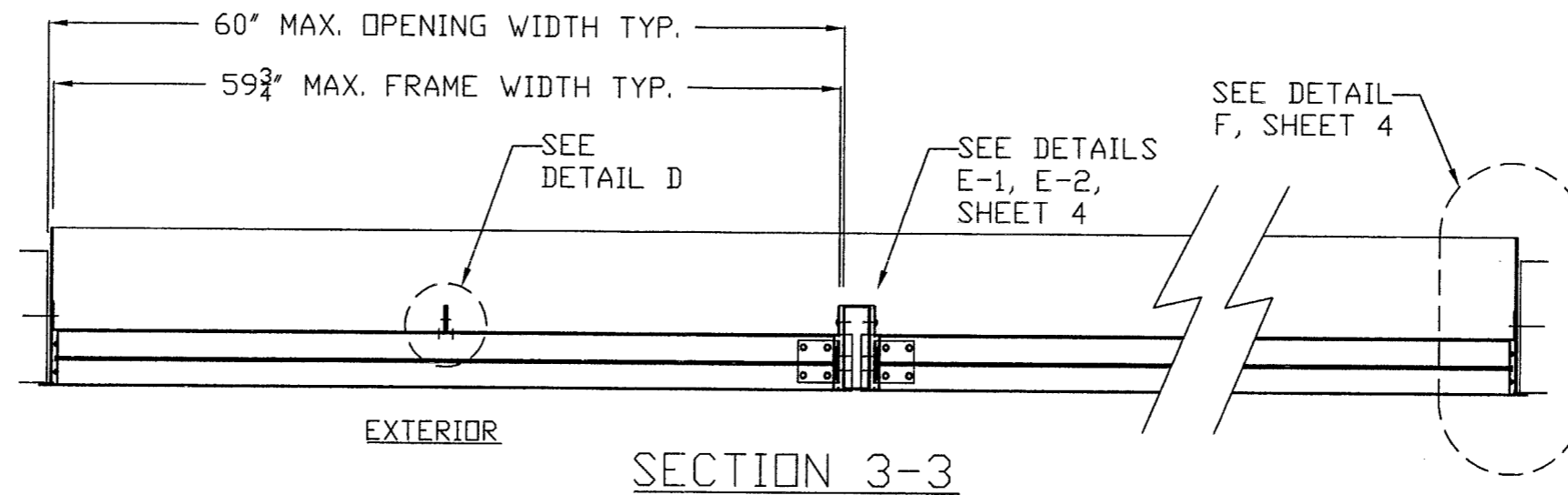
WLF-DA15 Aluminum Wall Louver  
 Large Missile Impact Resistant

**Grille Tech, Inc.**  
 5101 NW 36th AVE  
 MIAMI, FL 33142  
 PHONE: 305.537.0053  
 FAX: 305.537.0064

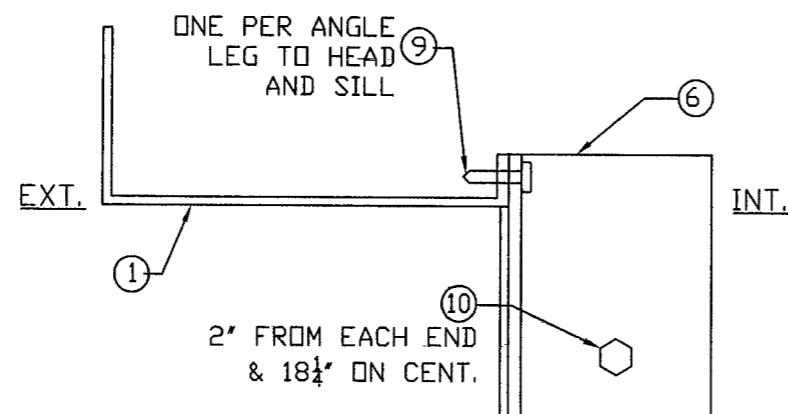
DRAWING # 0551-0402-10  
 SCALE: NTS  
 SHEET 2 of 6



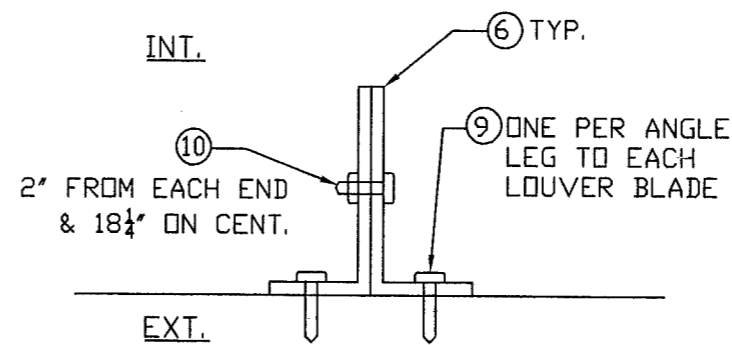
SECTION 2-2  
VERTICAL REINF.



SECTION 3-3



DETAIL C.  
VERT. REINF. TO HEAD/SILL



DETAIL D.  
VERT. REINF. TO BLADE  
(NOT REQ'D FOR LOUVER  
WIDTHS LESS THAN OR  
EQUAL TO 30" FRAME WIDTH  
OR 31 7/8" FLANGE WIDTH)

Approved as complying with the  
Florida Building Code  
Date 06/30/2010  
NOA# 10-0518-05  
Miami Dade Product Control  
Division  
By [Signature]

[Signature]  
SCOTT WOLTERS  
FLPE# 62354  
WOLTERS ENGINEERING, INC.  
(COA# 27194)  
1271 GRANT STREET  
HOLLYWOOD, FL 33019

MAY 12 2010

REV.	DATE	DESCRIPTION
0	4/30/2009	ORIGINAL RELEASE

WLF-DA15 Aluminum Wall Louver  
Large Missile Impact Resistant

**Grille Tech, Inc.**  
5101 NW 36th AVE  
MIAMI, FL 33142  
PHONE: 305.537.0053  
FAX: 305.537.0064

DRAWING #  
0551-0402-10  
SCALE: NTS

SHEET  
3 of 6

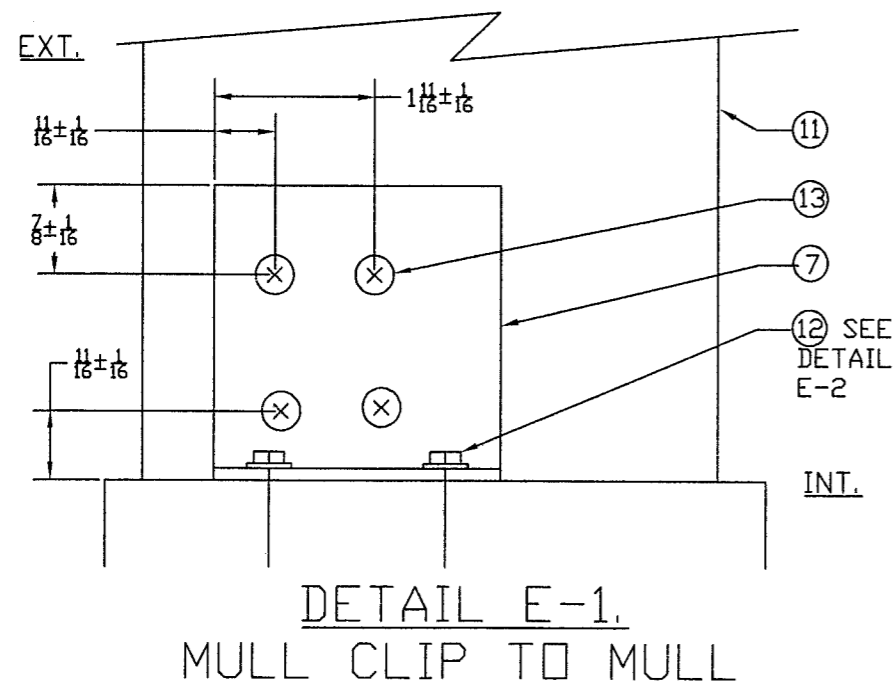
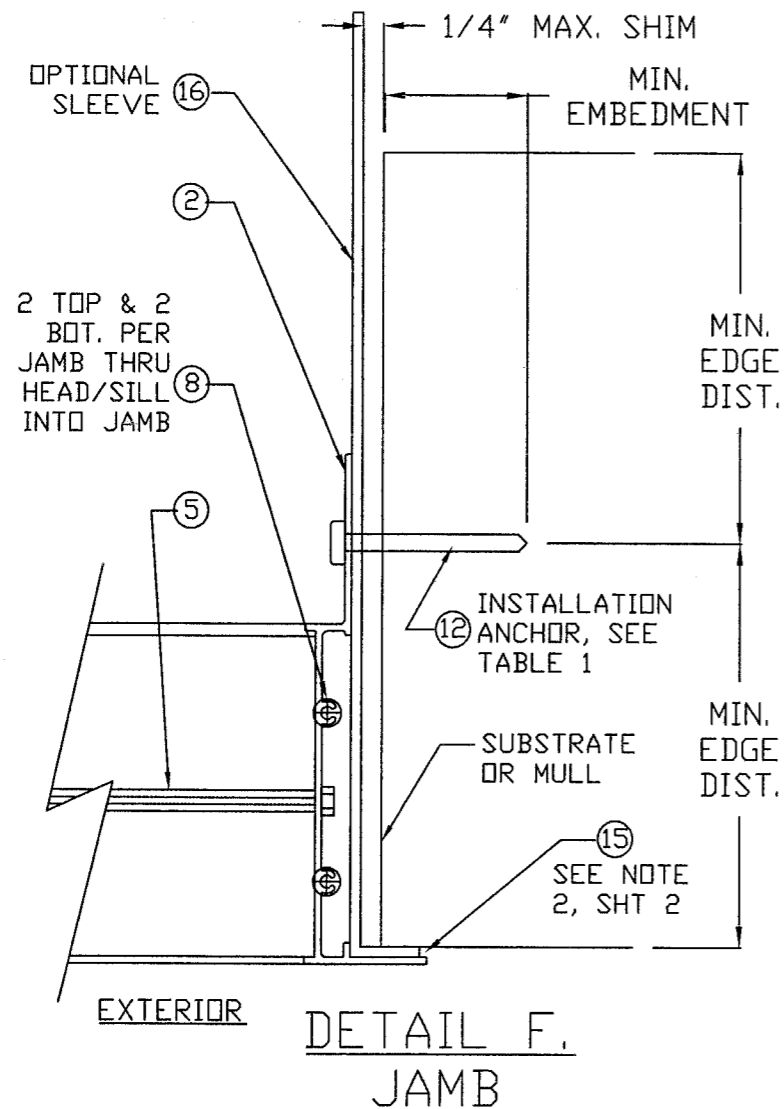
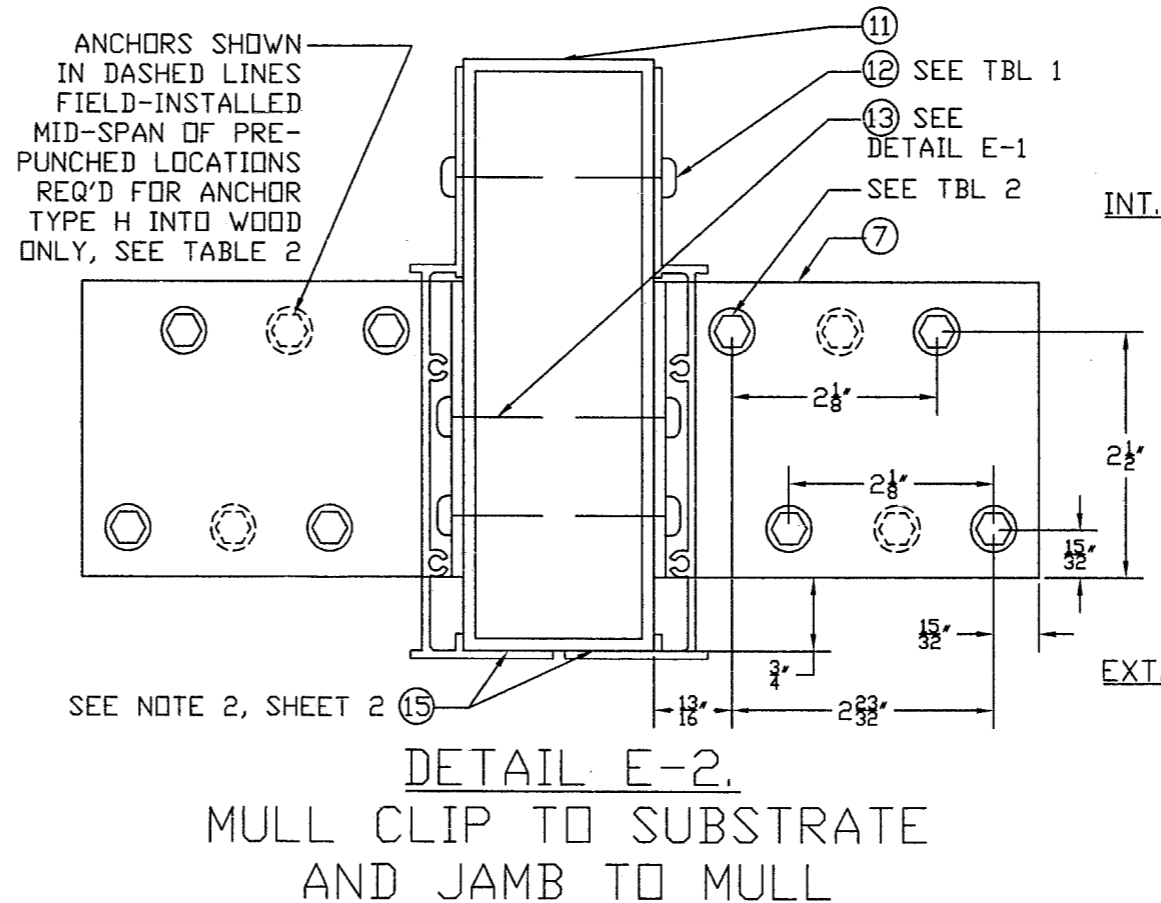


TABLE 1. QUALIFIED LOUVER INSTALLATION ANCHOR INFORMATION

ID	ANCHOR	SUBSTRATE	MIN. EMBED.	MIN. EDGE DISTANCE
A	1/4" ITW TAPCON	CONCRETE (3.2 KSI MIN)	1"	2 1/2"
B	1/4" ITW TAPCON	GROUT FILLED CMU	1 1/4"	2 1/2"
C	1/4" ITW TAPCON	WOOD (G=0.42 MIN)	1 3/8"	1"
D	#12 WOOD SCREW GRADE 5	WOOD (G=0.42 MIN)	1 3/8"	1"
E	#12 TEK SMS GRADE 5	1/8" ALUM. 6063-T5 MIN.	-	1/2"
F	#12 TEK SMS GRADE 5	1/8" STEEL 36 KSI MIN.	-	1/2"

TABLE 2. QUALIFIED MULLION CLIP ANCHOR INFORMATION

ID	ANCHOR	SUBSTRATE	MIN. EMBED.	MIN. EDGE DISTANCE	QTY PER CLIP
96" MAX. LENGTH VERTICAL MULLION, 61_5/8" MAX. LOUVER FLANGE WIDTHS					
G	5/16" ITW TAPCON	CONCRETE (2.9 KSI MIN)	2 1/4"	2 3/16"	4
H	#14 WOOD SCREW GRADE 5	WOOD (G=0.42 MIN)	2 1/2"	1"	6
I	#12 TEK SMS GRADE 5	1/8" STEEL 36 KSI MIN.	-	1/2"	4
60" MAX. LENGTH HORIZONTAL MULLION, 98_1/8" MAX. LOUVER FLANGE HEIGHTS					
A	1/4" ITW TAPCON	CONCRETE (3.2 KSI MIN)	1"	2 1/2"	4
D	#12 WOOD SCREW GRADE 5	WOOD (G=0.42 MIN)	1 3/8"	1"	4
F	#12 TEK SMS GRADE 5	1/8" STEEL 36 KSI MIN.	-	1/2"	4



Approved as complying with the Florida Building Code  
 Date 06/30/2010  
 NOA# 10-2518.05  
 Miami Dade Product Control  
 Division  
 By [Signature]

[Signature]  
 SCOTT WOLTERS  
 FLPE# 62354  
 WOLTERS ENGINEERING, INC.  
 (COA# 27194)  
 1271 GRANT STREET  
 HOLLYWOOD, FL 33019

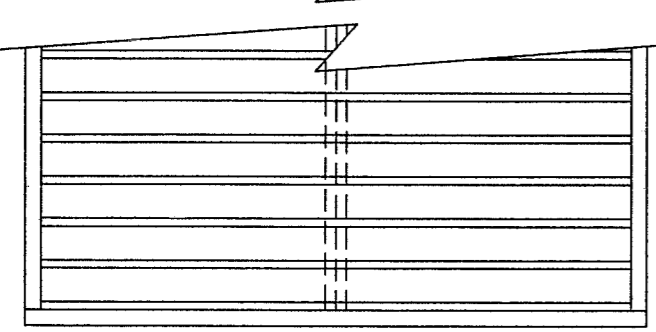
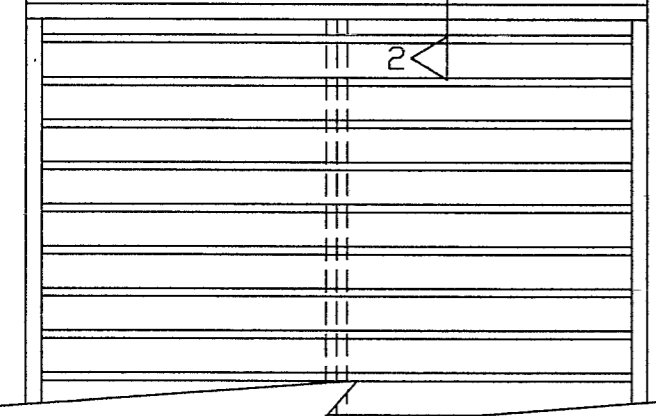
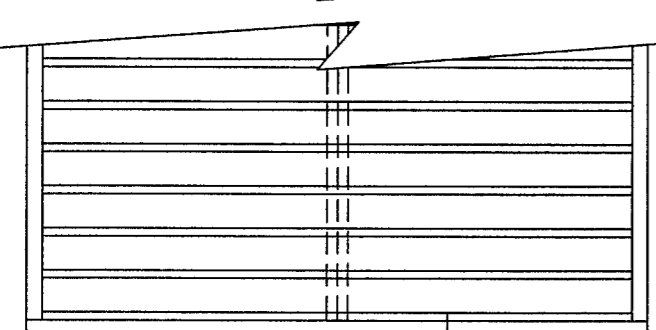
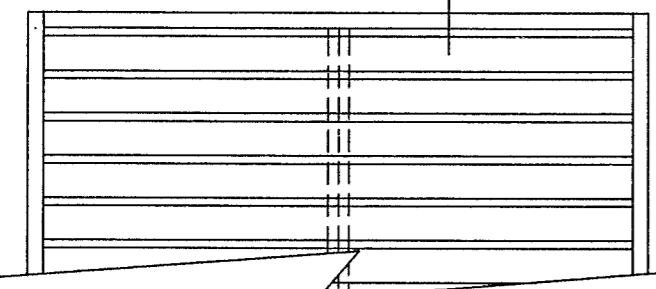
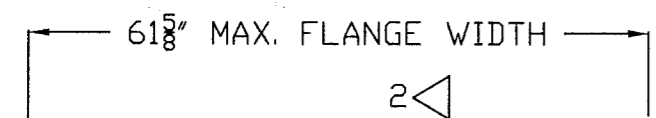
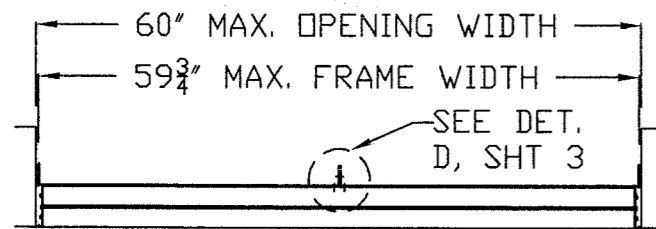
**Grille Tech, Inc.**  
 5101 NW 36th AVE  
 MIAMI, FL 33142  
 PHONE: 305.537.0053  
 FAX: 305.537.0064

DRAWING # 0551-0402-10  
 SCALE: NTS

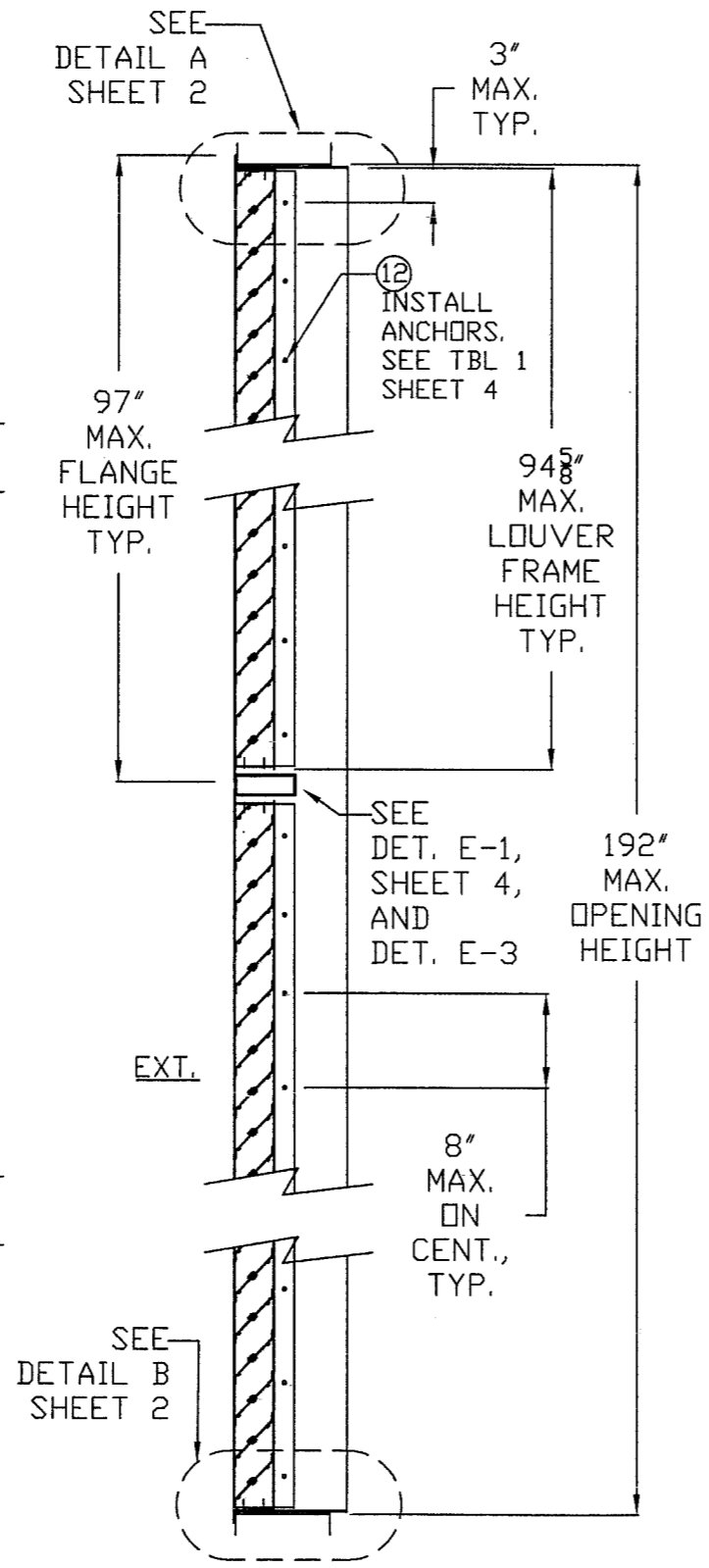
SHEET 4 of 6

WLF-DA15 Aluminum Wall Louver  
 Large Missile Impact Resistant

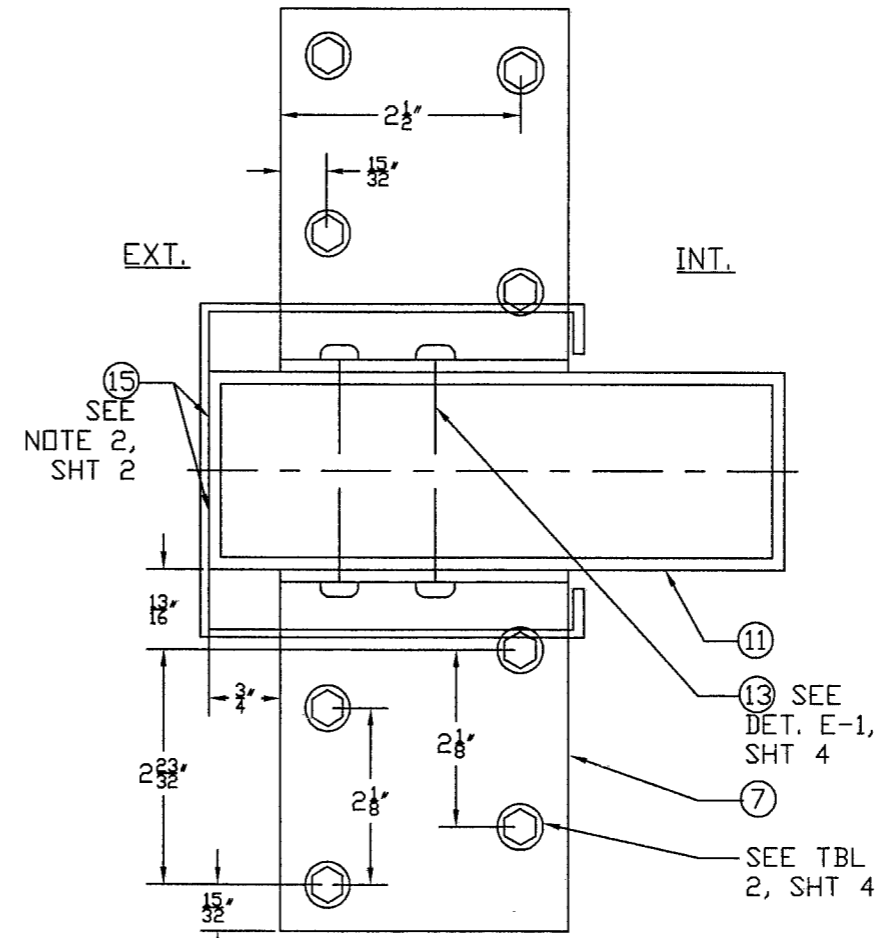
REV.	DATE	DESCRIPTION	BY	LAT
0	4/30/2009	ORIGINAL RELEASE		



**TWO-HIGH MULLED CONDITION**



BILL OF MATERIALS				BY	LAT
ITEM #	PART	DESCRIPTION	MATERIAL	DESCRIPTION	ORIGINAL RELEASE
1	4907A	FRAME HEAD AND SILL	6063-T5		
2	5629	FRAME JAMB	6063-T6		
3	4904	TOP BLADE	6063-T5		
4	4903	BLADE	6063-T5		
5		1/2"-14 ALL THREADED ZINC COATED ROD WITH WASHER AND NUT BOTH ENDS	AISI 1038		
6	8149	1"X2"X1/8" (VERTICAL REINFORCING)	6063-T5		
7		3"X4"X1/8" ANGLE, 3" LONG	6061-T6		
8		#10 P.P.H. X 1" SHEET METAL SCEW			
9		#8 H.W.H X 3/4" SHEET METAL SCREW			
10		1/4"-20 X 3/4" ZINC COATED BOLT WITH NUT			
11	10-0086	2"X6"X1/8" ALUMINUM MULL	6061-T6		
12		INSTALLATION ANCHOR, SEE TABLE 1, SHEET 4			
13		#12 P.P.H. X 1" TEK SHEET METAL SCEW			
14		#12 P.P.H. X 2" TEK SHEET METAL SCEW			
15		DOW 795 SILICONE BUILDING SEALANT			
16		SLEEVE: 0.85"X1.15"X1/8" FORMED FROM ALUM. SHEET	3003-H14		



Approved as complying with the Florida Building Code  
 Date 06/30/2010  
 NOA# 10-0518.05  
 Miami Dade Product Control  
 Division  
 By *[Signature]*

*Scott Walters*  
 SCOTT WALTERS  
 FLPE# 62354  
 WALTERS ENGINEERING, INC.  
 (COA# 27194)  
 1271 GRANT STREET  
 HOLLYWOOD, FL 33019

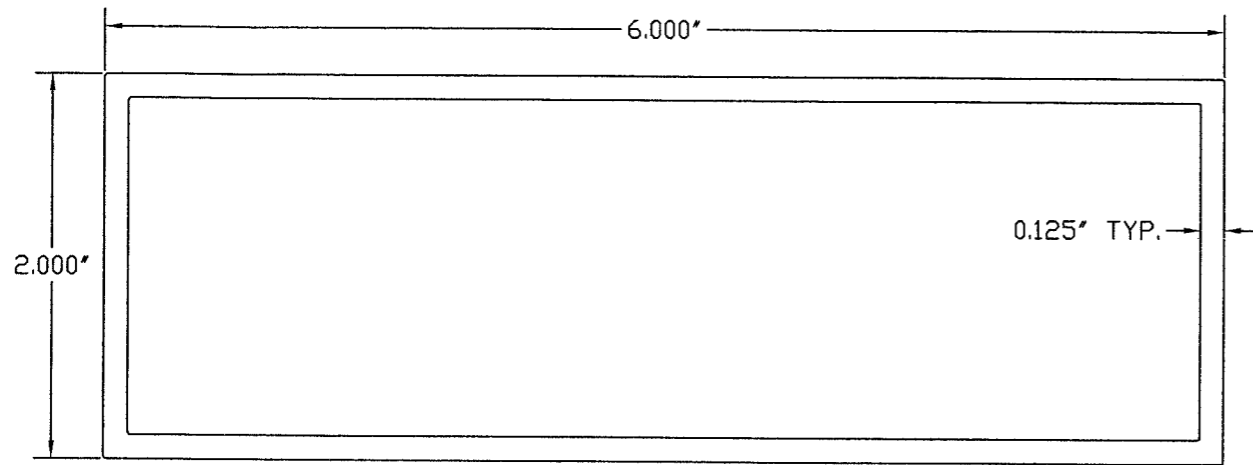
**Grille Tech, Inc.**  
 5101 NW 36th AVE  
 MIAMI, FL 33142  
 PHONE: 305.537.0053  
 FAX: 305.537.0064

DRAWING # 0551-0402-10  
 SCALE: NTS

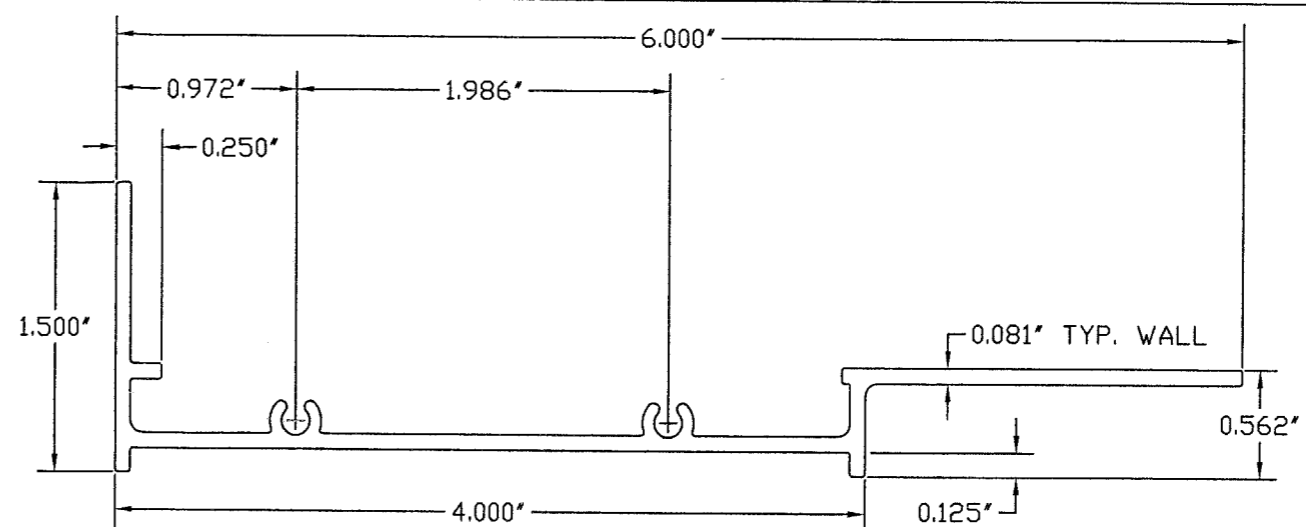
SHEET 5 of 6

WLF-DA15 Aluminum Wall Louver  
 Large Missile Impact Resistant

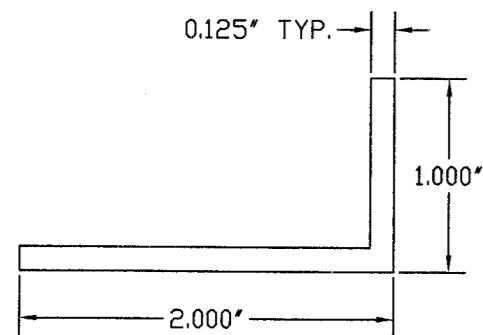
MAY 12 2010



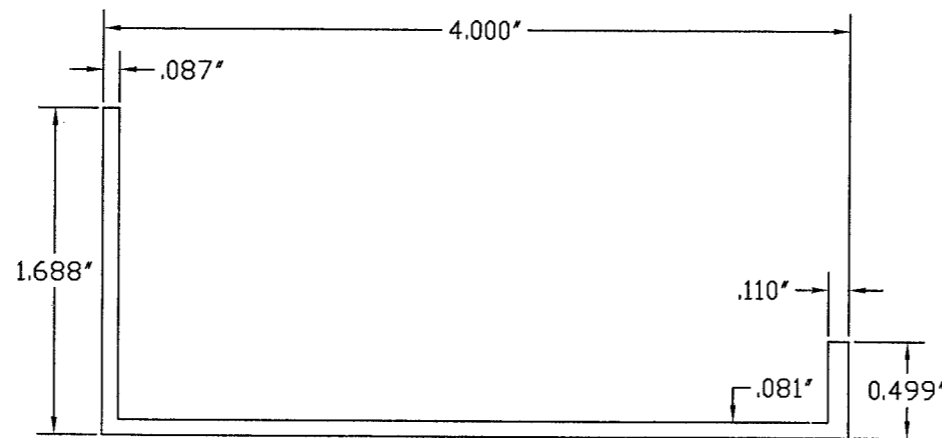
⑪ 2X6 MULL 6061-T6 ALUM.



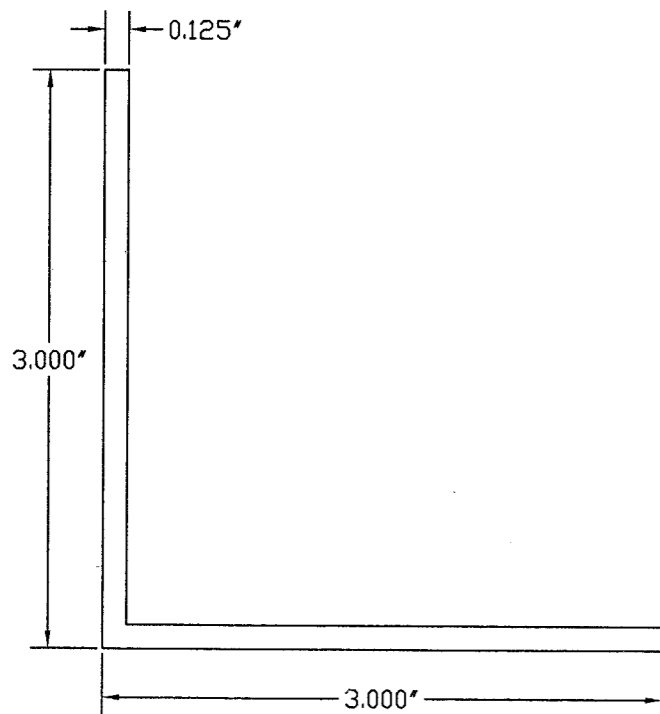
② FRAME JAMB 6063-T5 ALUM.



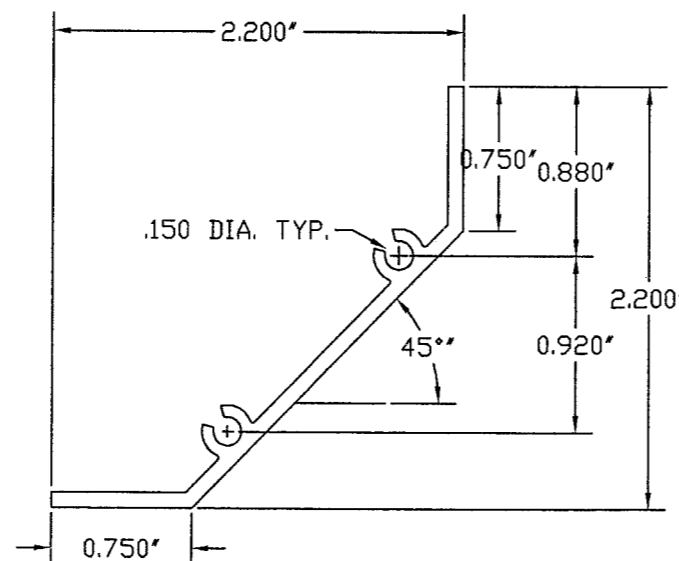
⑥ VERT. REINF. 6063-T5 ALUM.



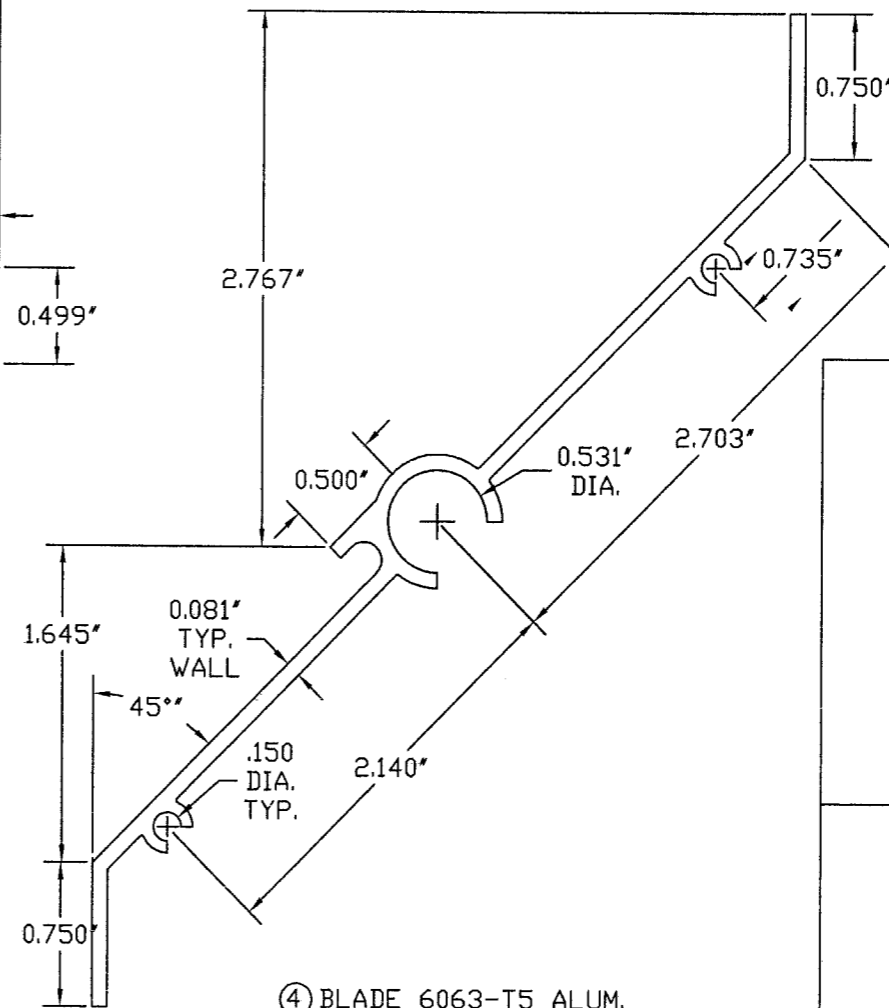
① HEAD AND SILL 6063-T5 ALUM.



⑦ 3X3 ANGLE 6061-T6 ALUM.



③ TOP BLADE 6063-T5 ALUM.



④ BLADE 6063-T5 ALUM.

Approved as complying with the  
 Florida Building Code  
 Date 06/30/2010  
 NOA# 10-0518.05  
 Miami Dade Product Control  
 Division  
 By *[Signature]*

*Scott Wolters*  
 SCOTT WOLTERS  
 FLPE# 62354  
 WOLTERS ENGINEERING, INC.  
 (COA# 27194)  
 1271 GRANT STREET  
 HOLLYWOOD, FL 33019  
 MAY 12 2010

REV.	DATE	DESCRIPTION	BY	LAT
0	4/30/2009	ORIGINAL RELEASE		

WLF-DA15 Aluminum Wall Louver  
 Large Missile Impact Resistant

**Grille Tech, Inc.**  
 5101 NW 36th AVE  
 MIAMI, FL 33142  
 PHONE: 305.537.0053  
 FAX: 305.537.0064

DRAWING # 0551-0402-10  
 SCALE: FULL  
 SHEET 6 of 6